



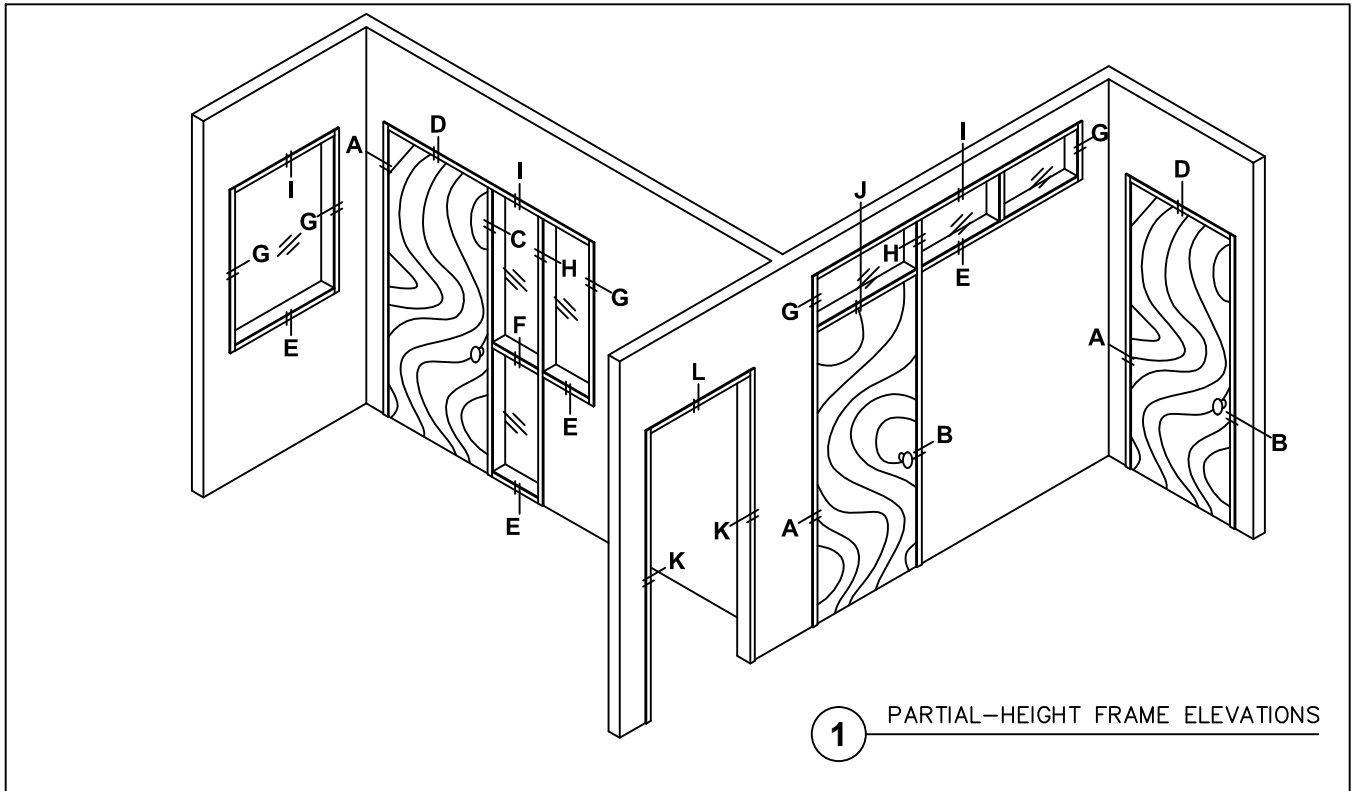
2301 E. Vernon Ave.
Vernon, CA 90058
866.443.7258
323.908.5430
323.908.5451 Fax

2221 Manana Drive
Suite 150
Dallas, TX 75220
203.316.8033
203.316.0019 Fax

60 Bonner Street
Stamford, CT 06902
203.316.8033
203.316.0019 Fax

www.wilsonpart.com

TYPICAL FRAME ELEVATIONS





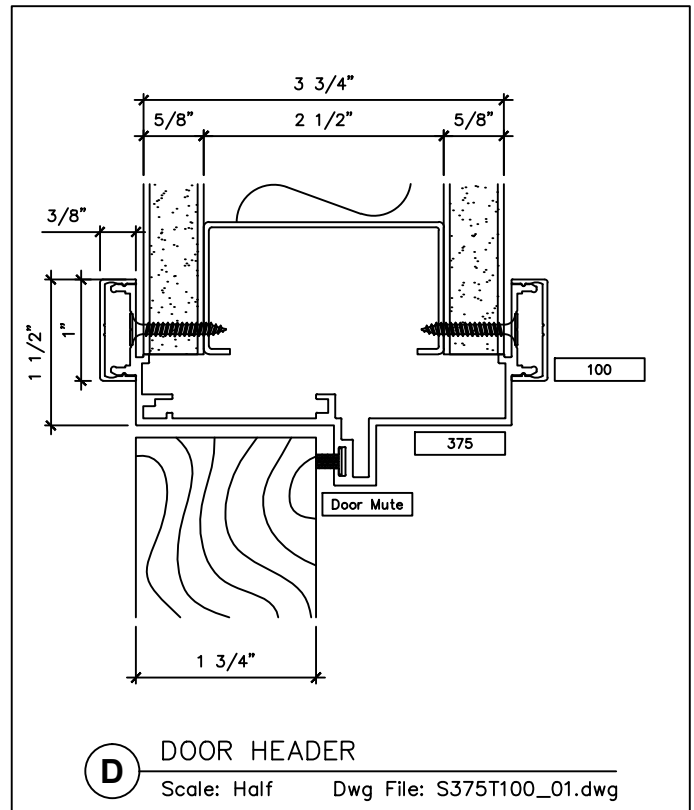
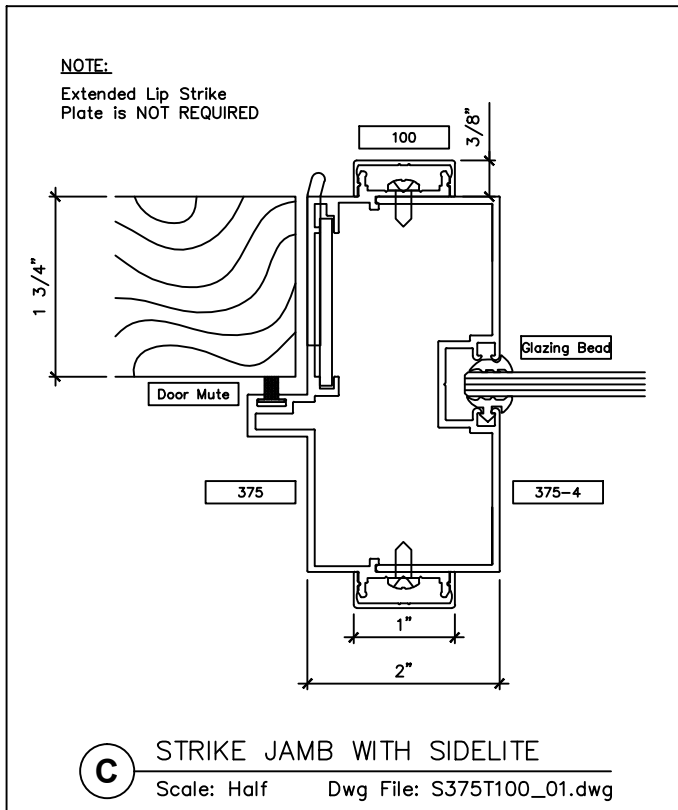
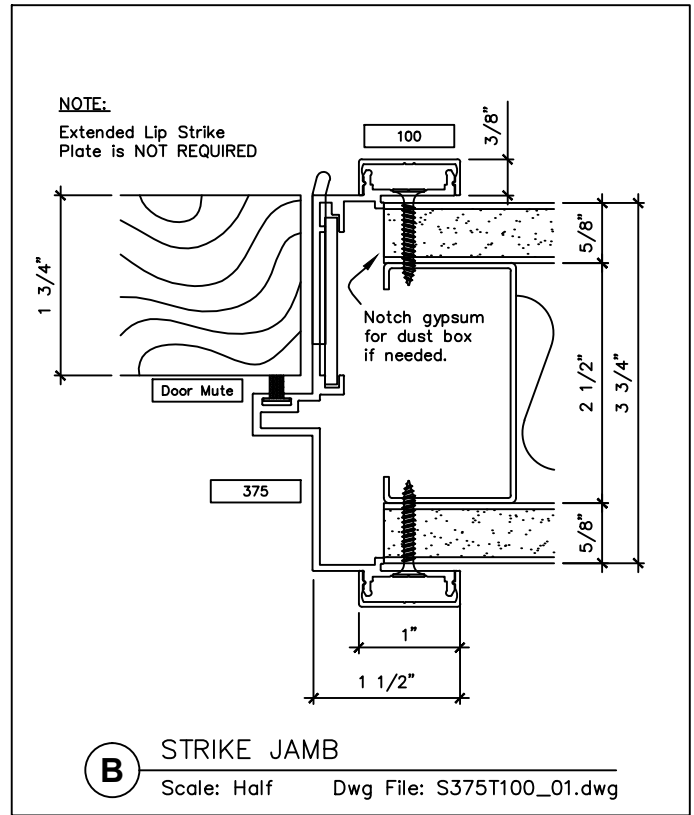
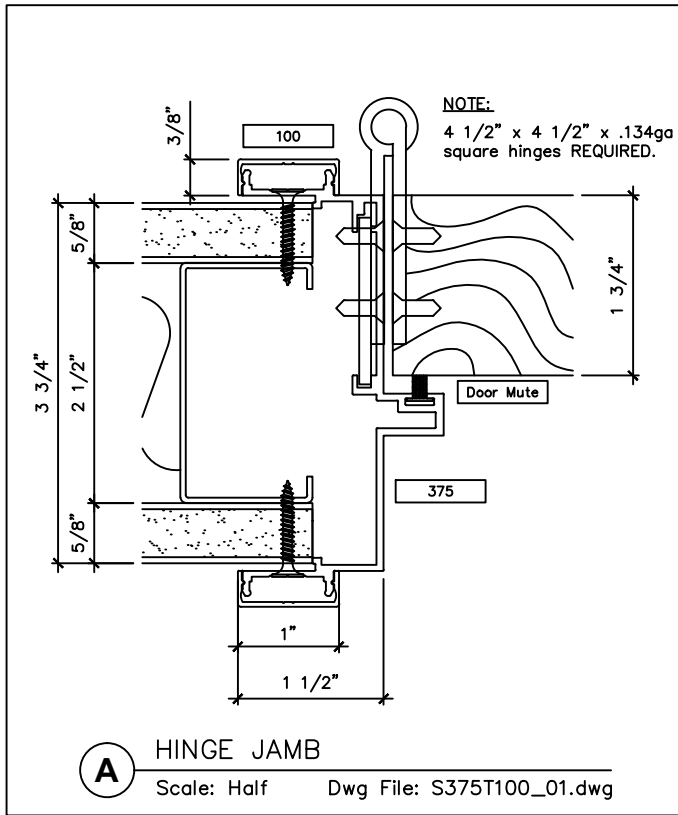
2301 E. Vernon Ave.
Vernon, CA 90058
866.443.7258
323.908.5430
323.908.5451 Fax

2221 Manana Drive
Suite 150
Dallas, TX 75220
203.316.8033
203.316.0019 Fax

60 Bonner Street
Stamford, CT 06902
203.316.8033
203.316.0019 Fax

www.wilsonpart.com

SNAP ON TRIM- SERIES 375 WITH 1" TRIM FOR A 3 3/4" PARTITION





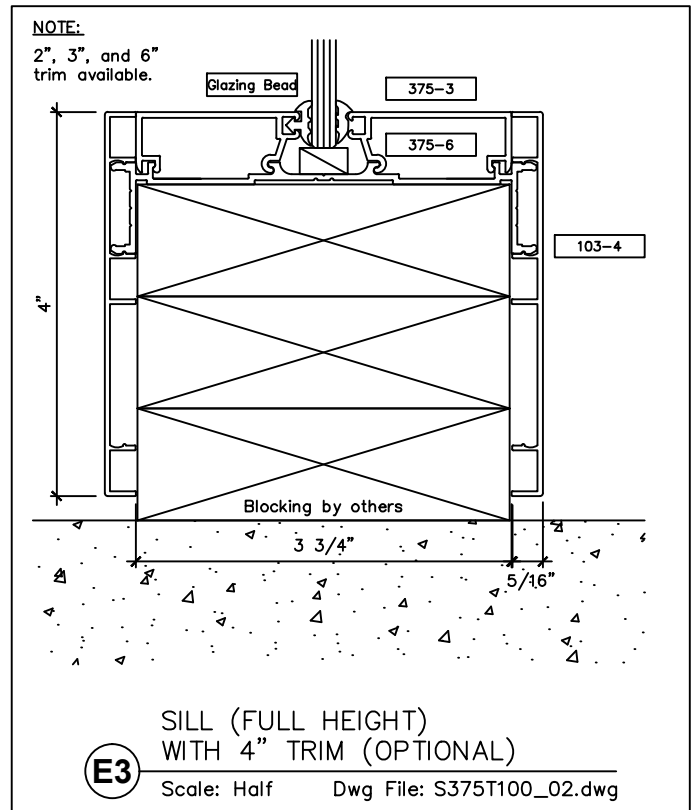
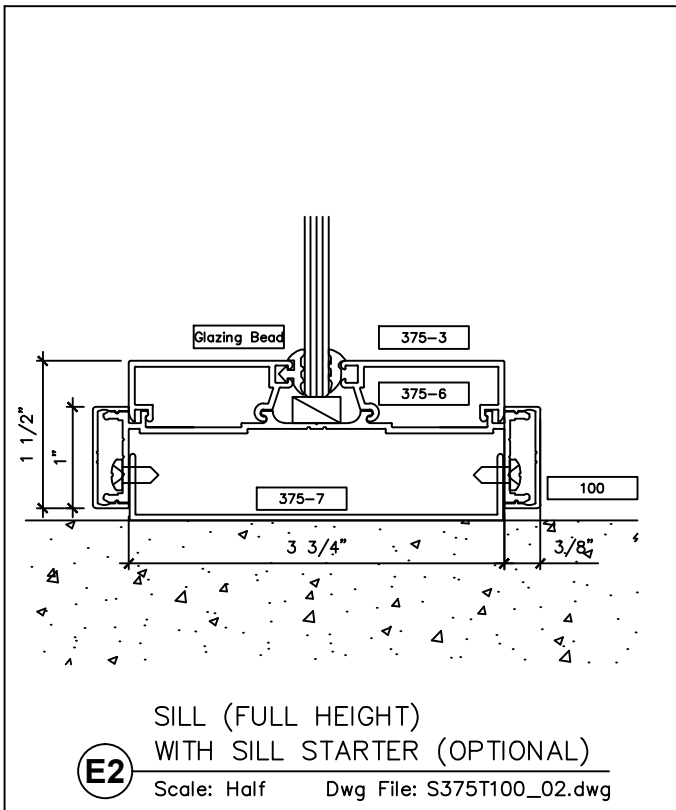
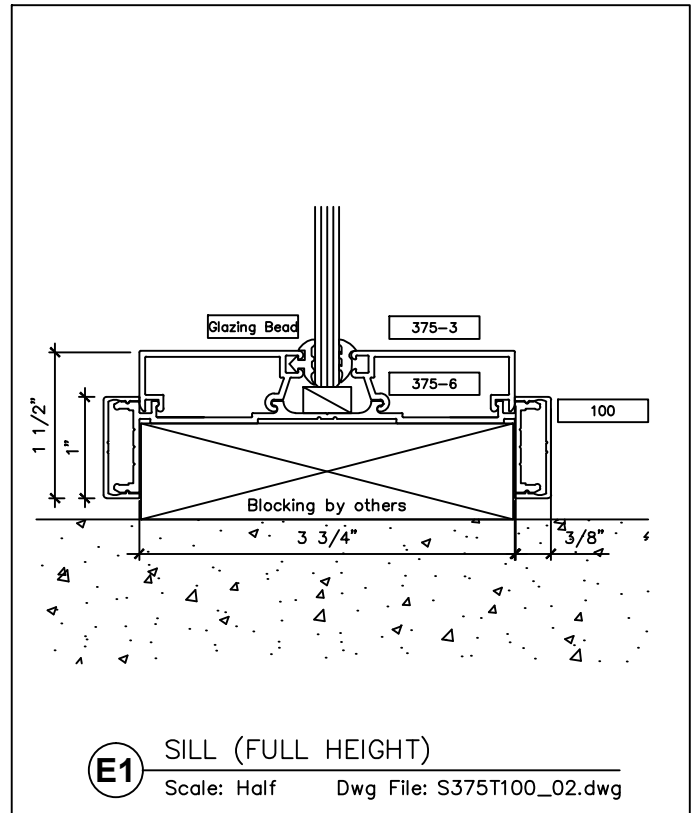
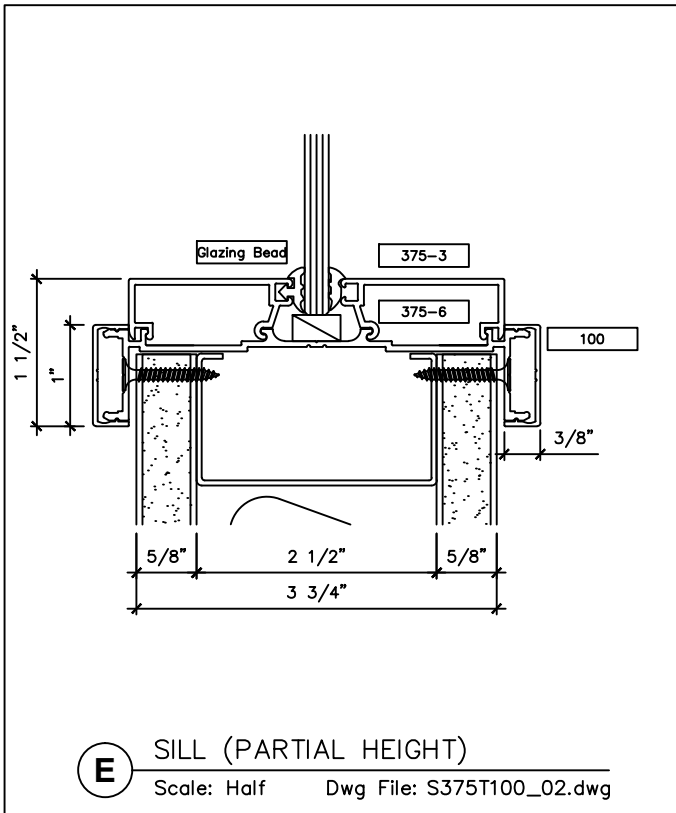
2301 E. Vernon Ave.
Vernon, CA 90058
866.443.7258
323.908.5430
323.908.5451 Fax

2221 Manana Drive
Suite 150
Dallas, TX 75220
203.316.8033
203.316.0019 Fax

60 Bonner Street
Stamford, CT 06902
203.316.8033
203.316.0019 Fax

www.wilsonpart.com

SNAP ON TRIM- SERIES 375 WITH 1" TRIM FOR A 3 3/4" PARTITION





2301 E. Vernon Ave.
Vernon, CA 90058
866.443.7258
323.908.5430
323.908.5451 Fax

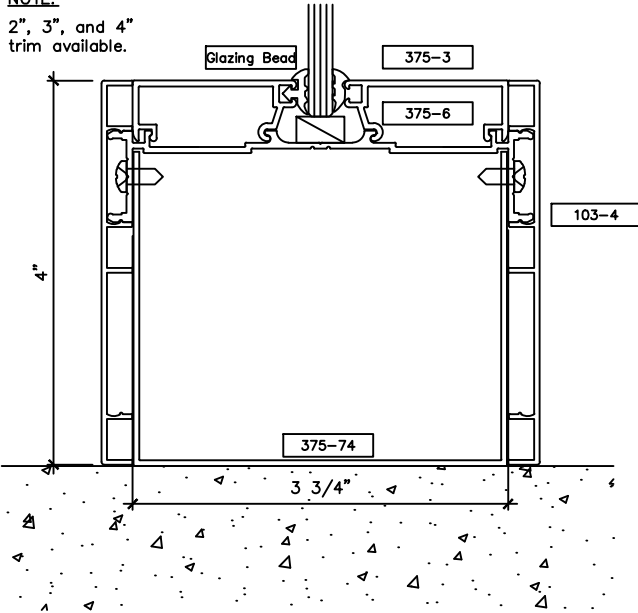
2221 Manana Drive
Suite 150
Dallas, TX 75220
203.316.8033
203.316.0019 Fax

60 Bonner Street
Stamford, CT 06902
203.316.8033
203.316.0019 Fax

www.wilsonpart.com

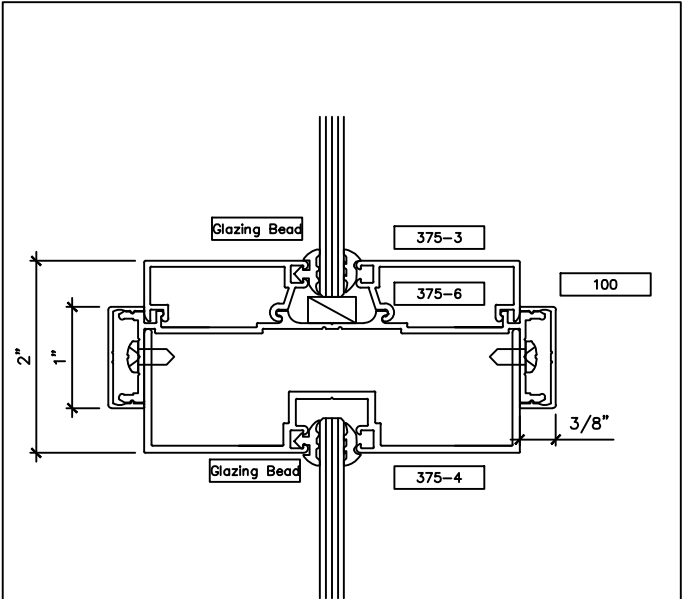
SNAP ON TRIM- SERIES 375 WITH 1" TRIM FOR A 3 3/4" PARTITION

NOTE:
2", 3", and 4"
trim available.



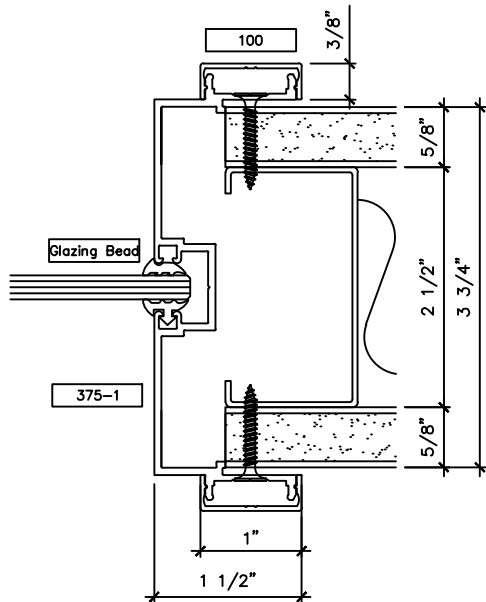
E4 SILL (FULL HEIGHT)
WITH 4" SILL STARTER (OPTIONAL)

Scale: Half Dwg File: S375T100_03.dwg



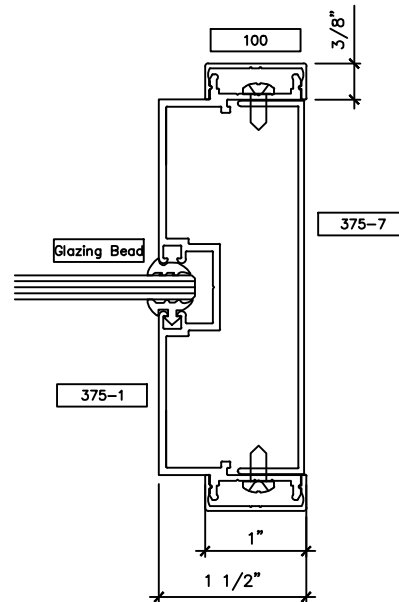
F HORIZONTAL MUNTIN

Scale: Half Dwg File: S375T100_03.dwg



G JAMB MULLION

Scale: Half Dwg File: S375T100_03.dwg



G1 JAMB MULLION WITH WALL STARTER

Scale: Half Dwg File: S375T100_03.dwg



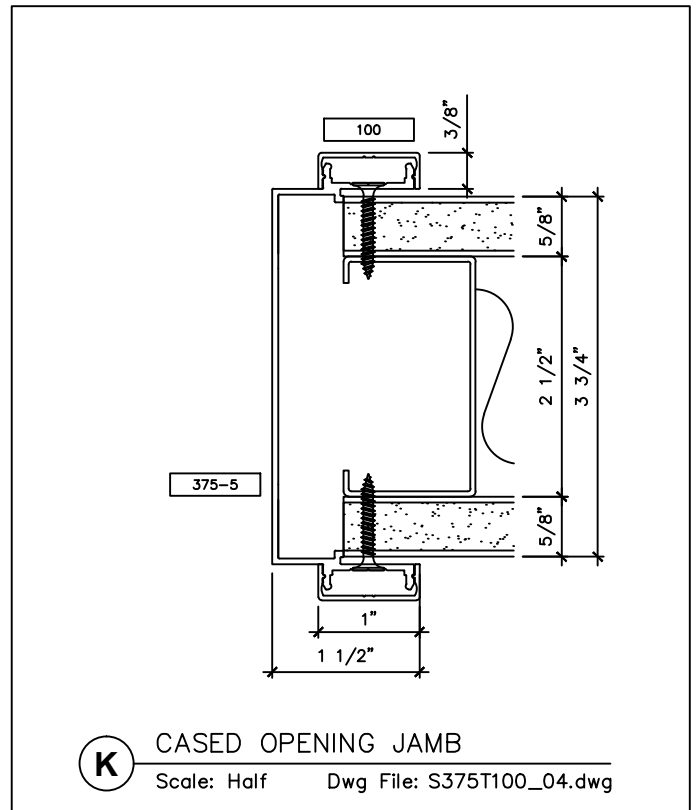
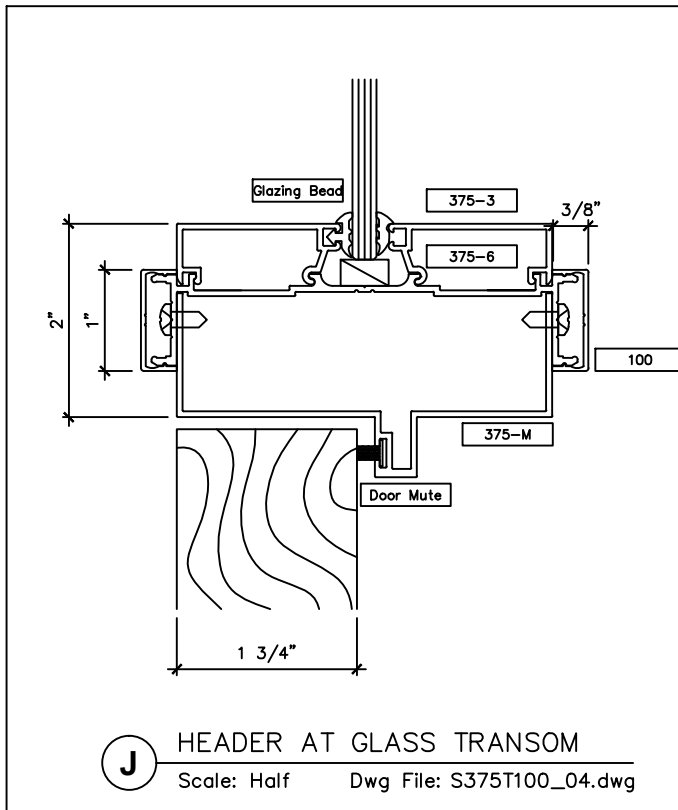
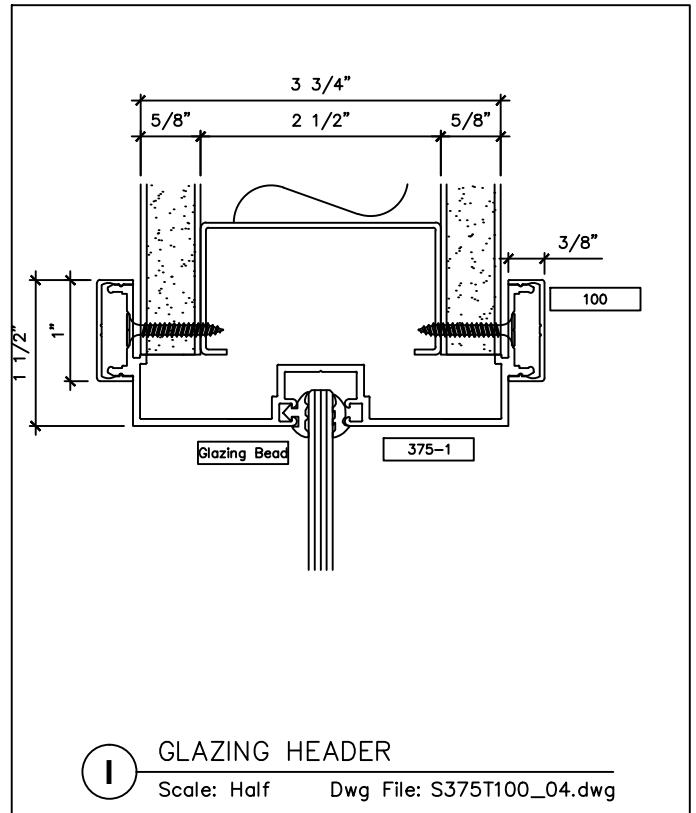
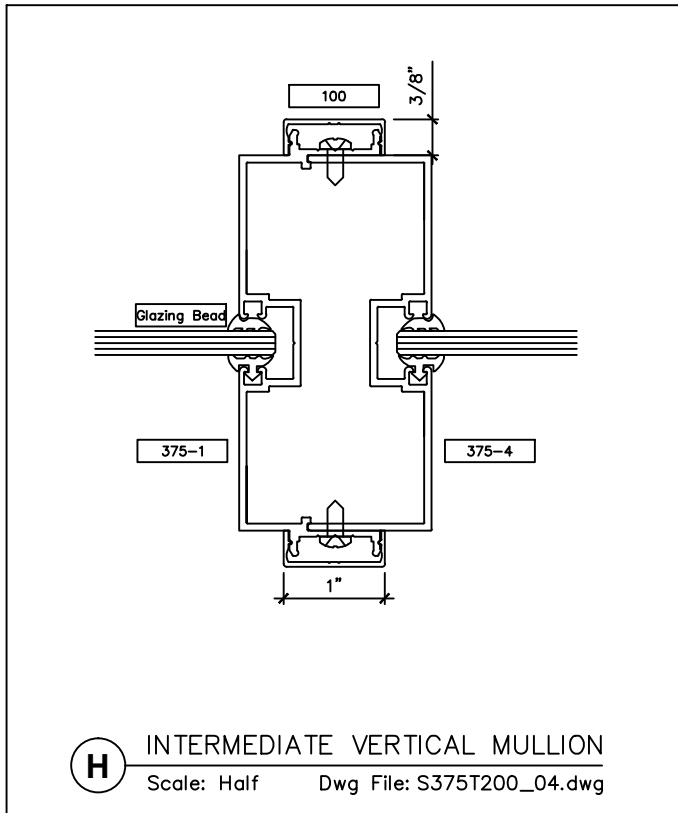
2301 E. Vernon Ave.
Vernon, CA 90058
866.443.7258
323.908.5430
323.908.5451 Fax

2221 Manana Drive
Suite 150
Dallas, TX 75220
203.316.8033
203.316.0019 Fax

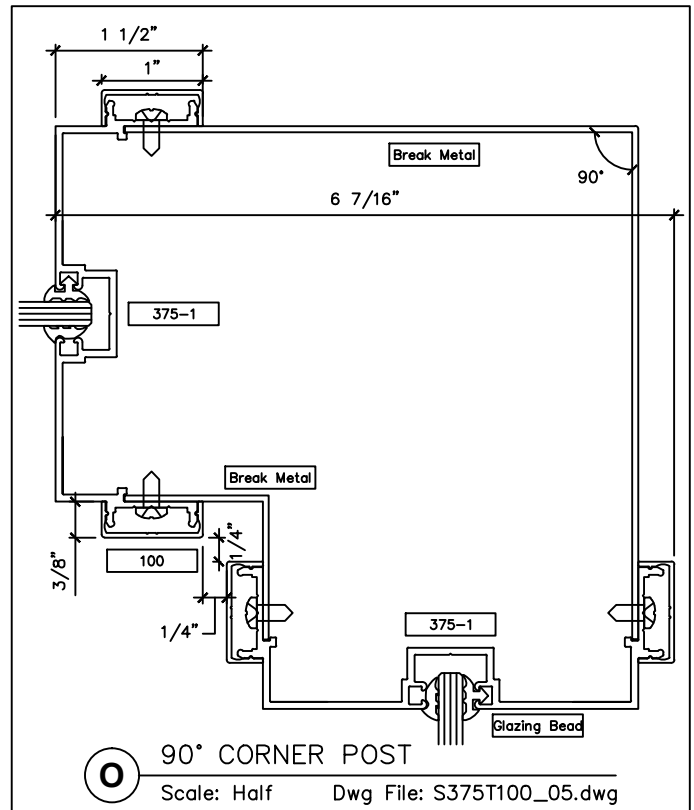
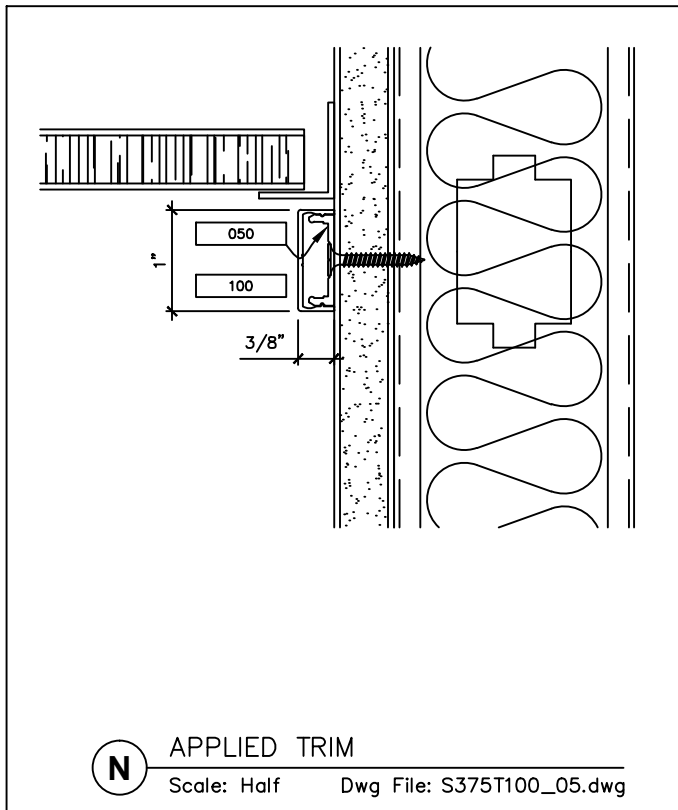
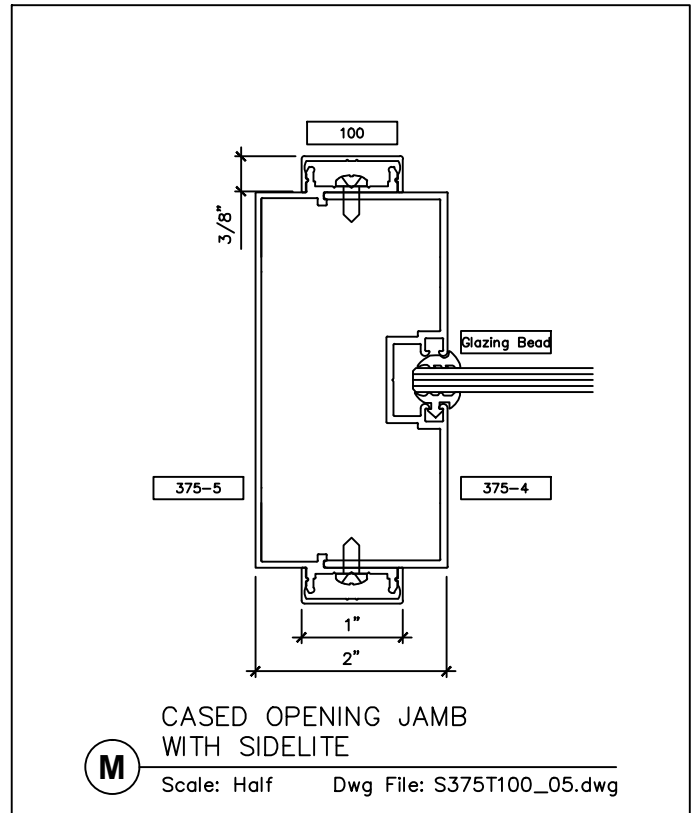
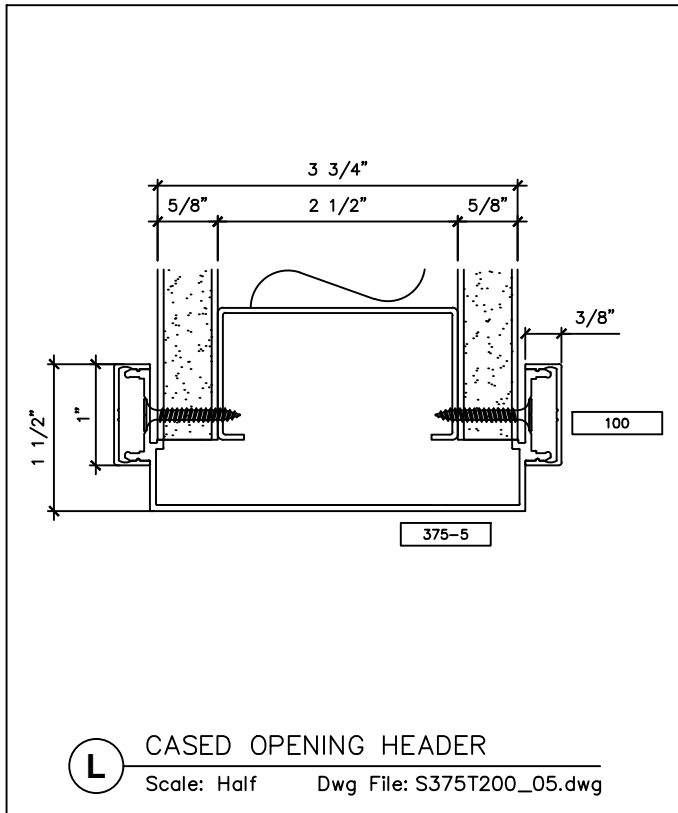
60 Bonner Street
Stamford, CT 06902
203.316.8033
203.316.0019 Fax

www.wilsonpart.com

SNAP ON TRIM- SERIES 375 WITH 1" TRIM FOR A 3 3/4" PARTITION



SNAP ON TRIM- SERIES 375 WITH 1" TRIM FOR A 3 3/4" PARTITION



2301 E. Vernon Ave.
Vernon, CA 90058
866.443.7258
323.908.5430
323.908.5451 Fax

2221 Manana Drive
Suite 150
Dallas, TX 75220
203.316.8033
203.316.0019 Fax

60 Bonner Street
Stamford, CT 06902
203.316.8033
203.316.0019 Fax

www.wilsonpart.com

SNAP ON TRIM- SERIES 375 WITH 1" TRIM FOR A 3 3/4" PARTITION

