



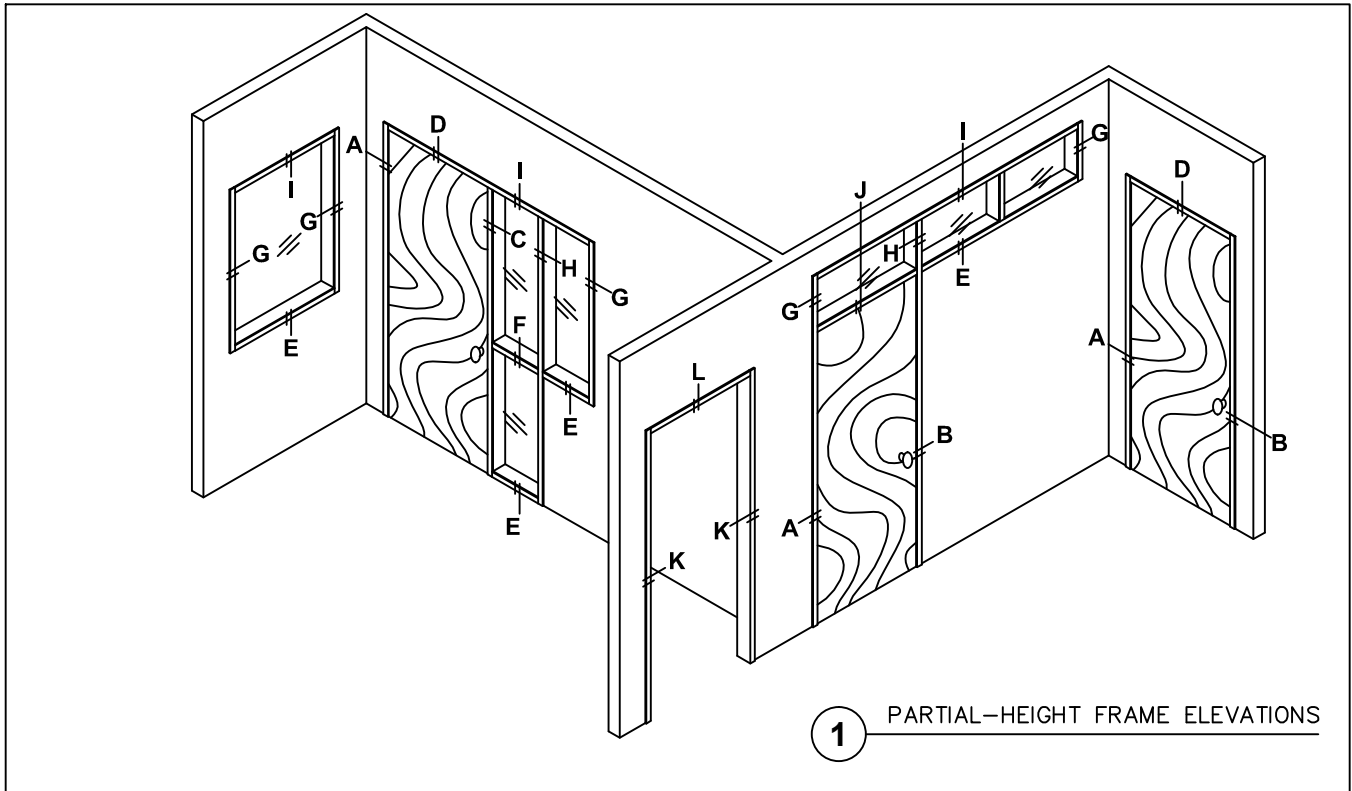
2301 E. Vernon Ave.
Vernon, CA 90058
866.443.7258
323.908.5430
323.908.5451 Fax

2221 Manana Drive
Suite 150
Dallas, TX 75220
203.316.8033
203.316.0019 Fax

60 Bonner Street
Stamford, CT 06902
203.316.8033
203.316.0019 Fax

www.wilsonpart.com

TYPICAL FRAME ELEVATIONS





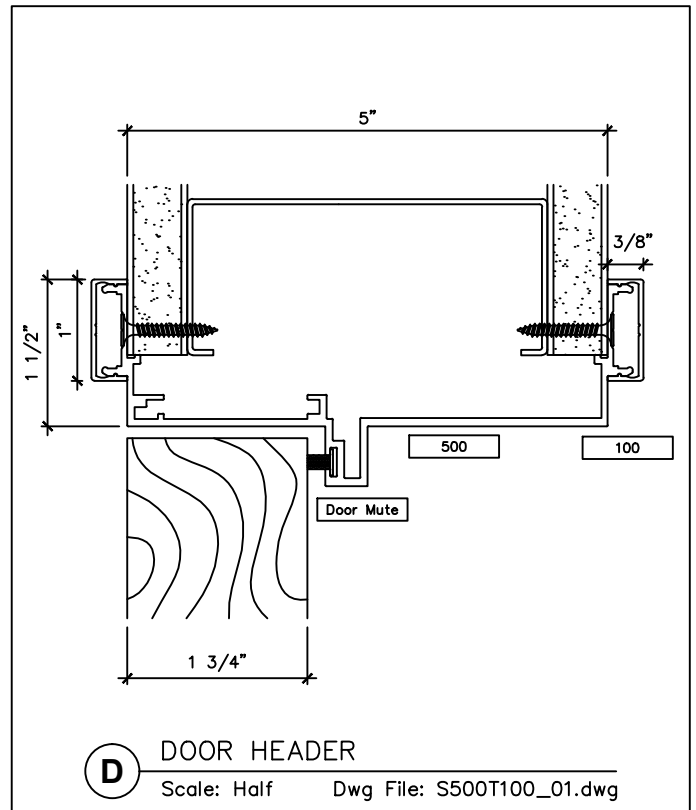
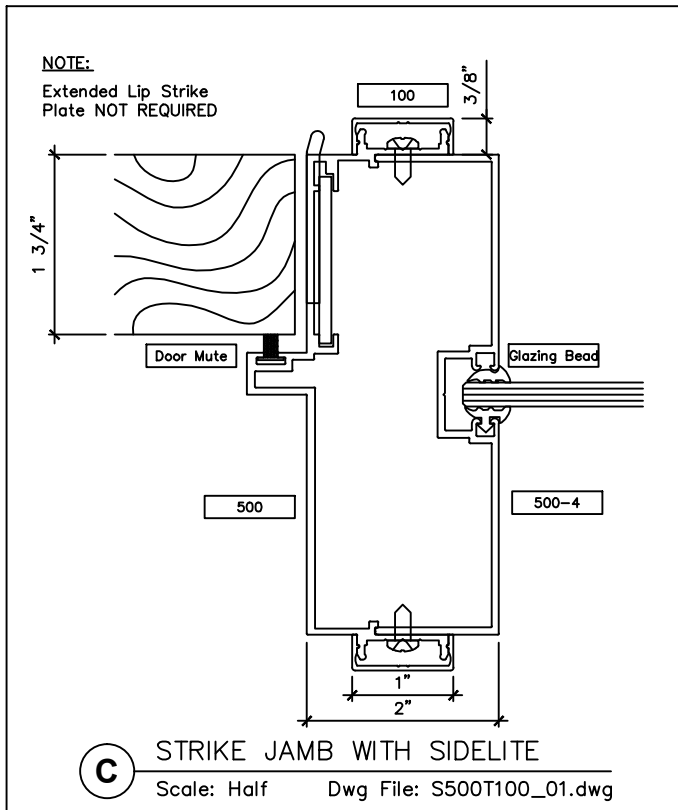
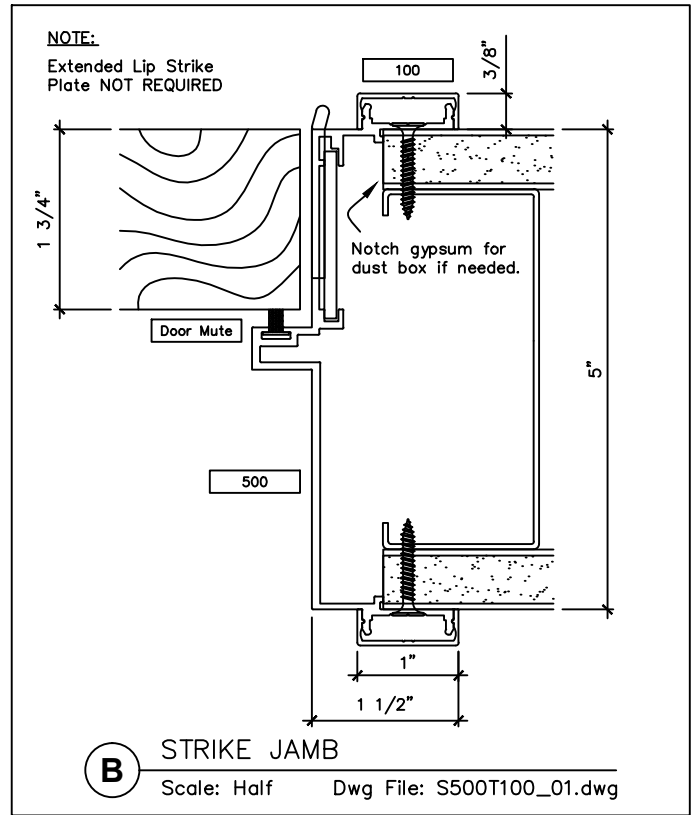
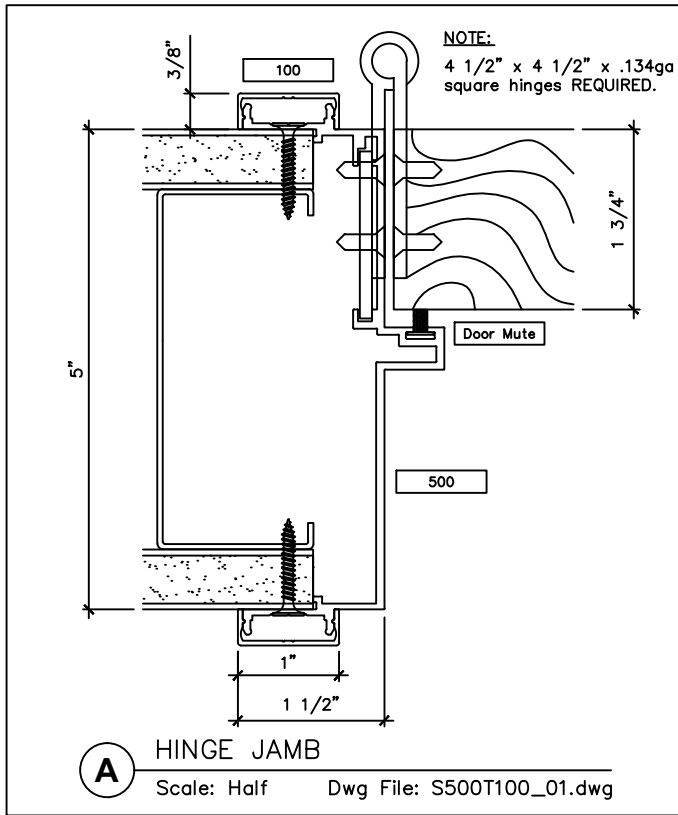
2301 E. Vernon Ave.
Vernon, CA 90058
866.443.7258
323.908.5430
323.908.5451 Fax

2221 Manana Drive
Suite 150
Dallas, TX 75220
203.316.8033
203.316.0019 Fax

60 Bonner Street
Stamford, CT 06902
203.316.8033
203.316.0019 Fax

www.wilsonpart.com

SNAP ON TRIM- SERIES 500 WITH 1" TRIM FOR A 5" PARTITION





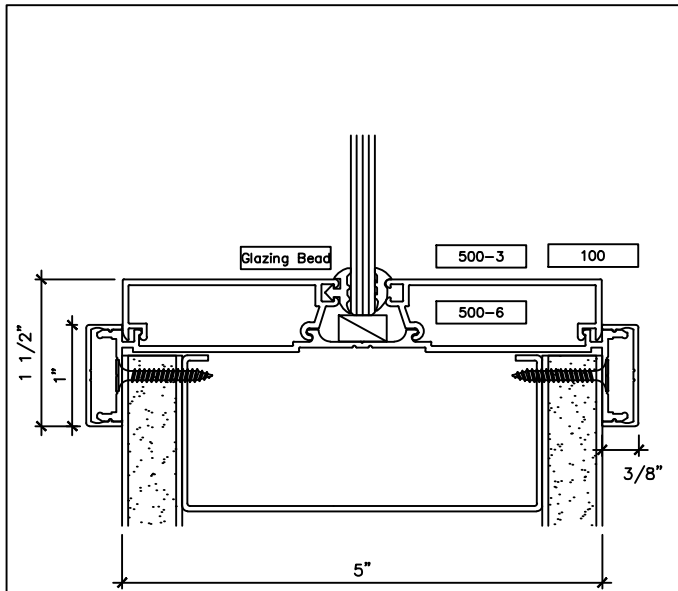
2301 E. Vernon Ave.
Vernon, CA 90058
866.443.7258
323.908.5430
323.908.5451 Fax

2221 Manana Drive
Suite 150
Dallas, TX 75220
203.316.8033
203.316.0019 Fax

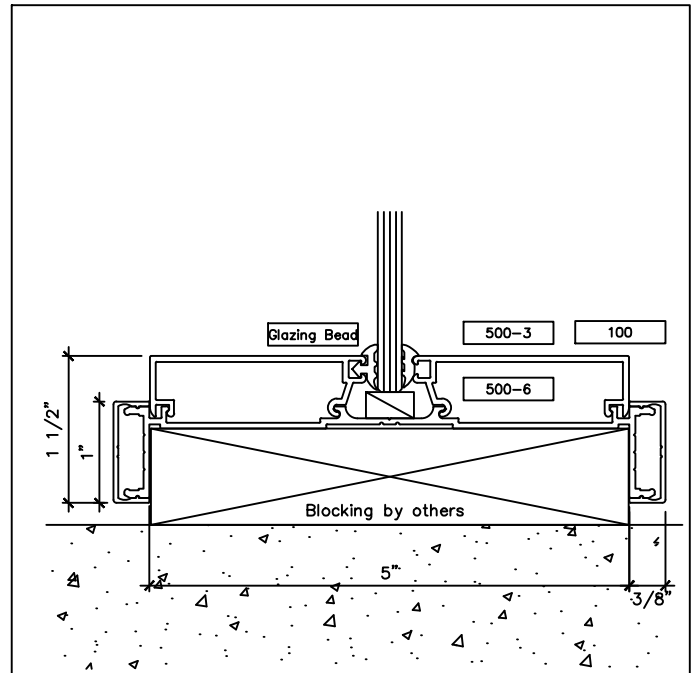
60 Bonner Street
Stamford, CT 06902
203.316.8033
203.316.0019 Fax

www.wilsonpart.com

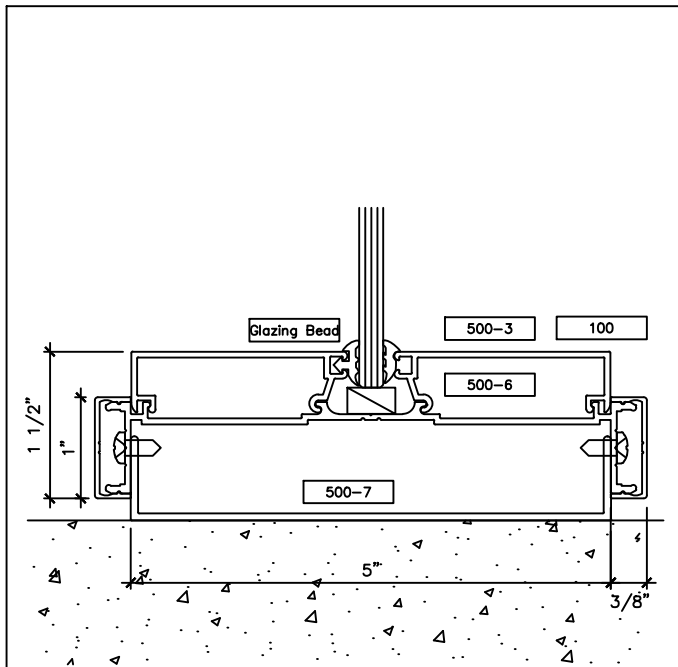
SNAP ON TRIM- SERIES 500 WITH 1" TRIM FOR A 5" PARTITION



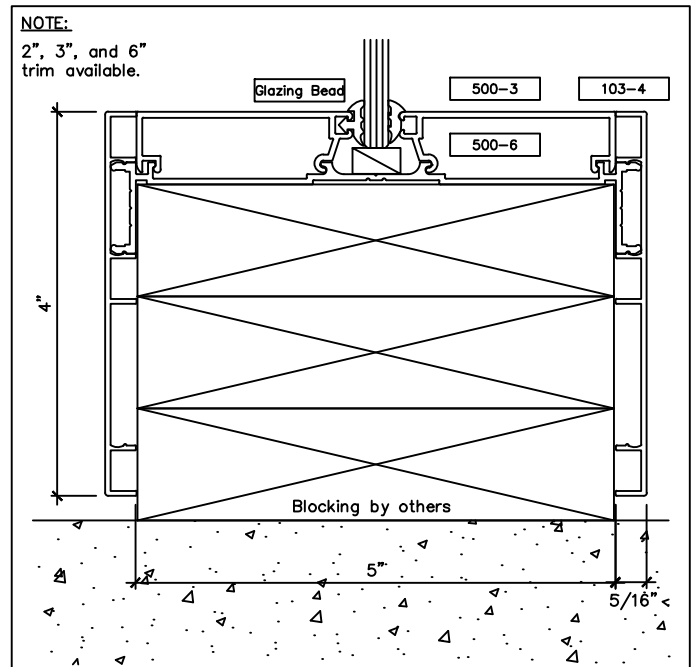
E SILL (PARTIAL HEIGHT)
Scale: Half Dwg File: S500T100_02.dwg



E1 SILL (FULL HEIGHT)
Scale: Half Dwg File: S500T100_02.dwg



E2 SILL (FULL HEIGHT)
WITH SILL STARTER (OPTIONAL)
Scale: Half Dwg File: S500T100_02.dwg



NOTE:

2", 3", and 6"
trim available.

E3 SILL (FULL HEIGHT)
WITH 4" TRIM (OPTIONAL)
Scale: Half Dwg File: S500T100_02.dwg



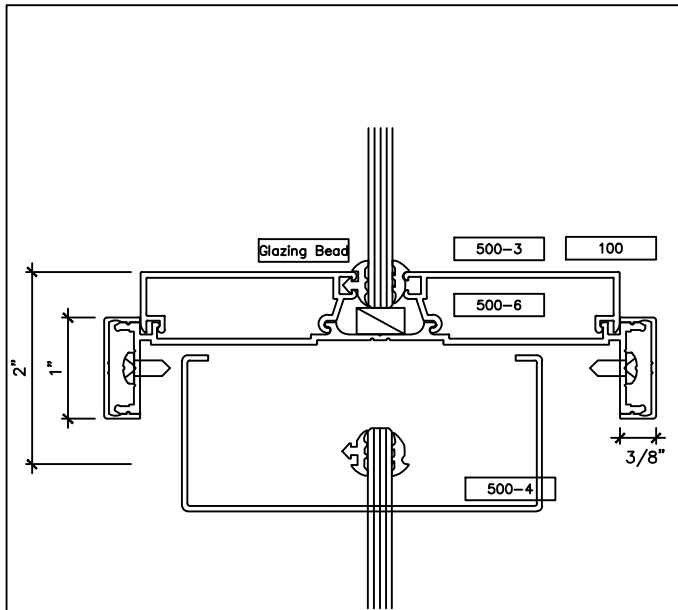
2301 E. Vernon Ave.
Vernon, CA 90058
866.443.7258
323.908.5430
323.908.5451 Fax

2221 Manana Drive
Suite 150
Dallas, TX 75220
203.316.8033
203.316.0019 Fax

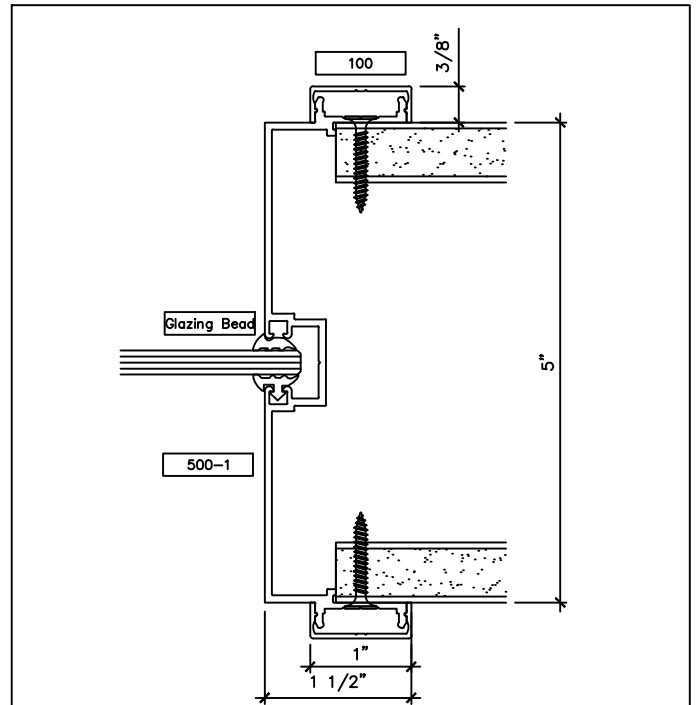
60 Bonner Street
Stamford, CT 06902
203.316.8033
203.316.0019 Fax

www.wilsonpart.com

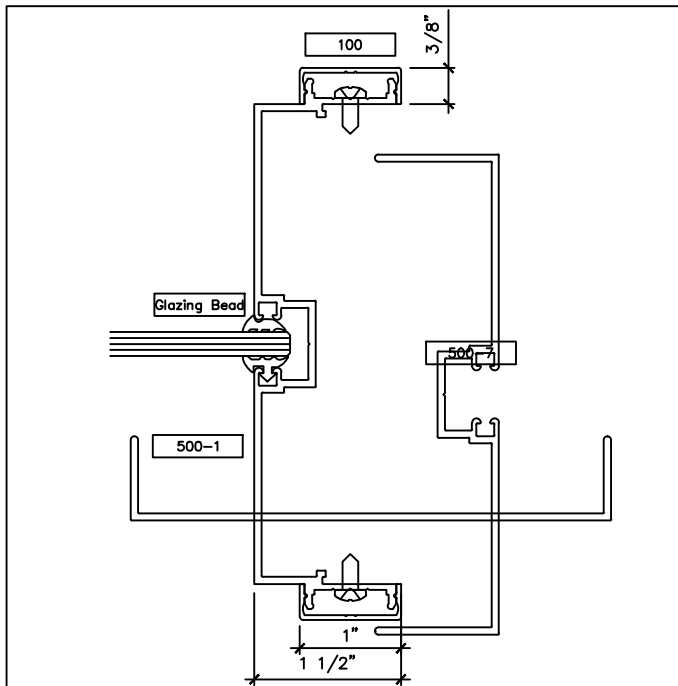
SNAP ON TRIM- SERIES 500 WITH 1" TRIM FOR A 5" PARTITION



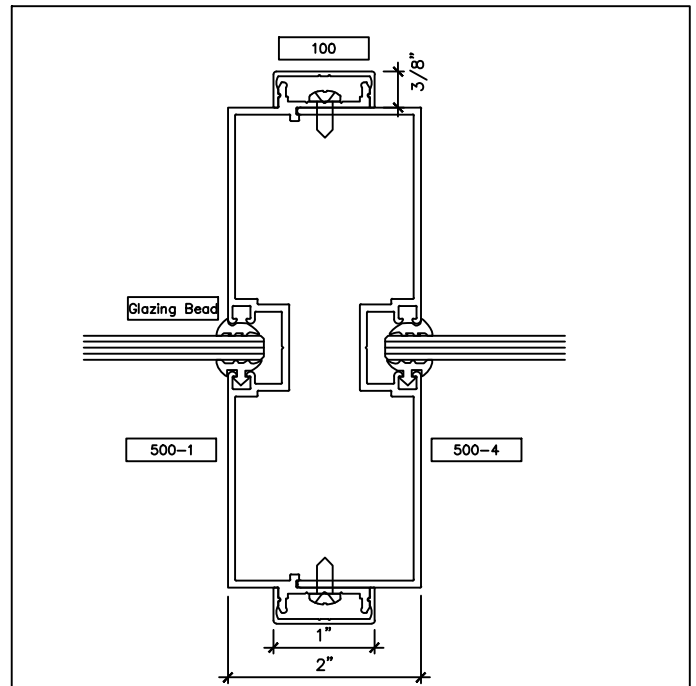
F HORIZONTAL MUNTIN
Scale: Half Dwg File: S500T100_03.dwg



G JAMB MULLION
Scale: Half Dwg File: S500T100_03.dwg



G1 JAMB MULLION WITH WALL STARTER
Scale: Half Dwg File: S500T100_03.dwg



H INTERMEDIATE VERTICAL MULLION
Scale: Half Dwg File: S500T100_03.dwg



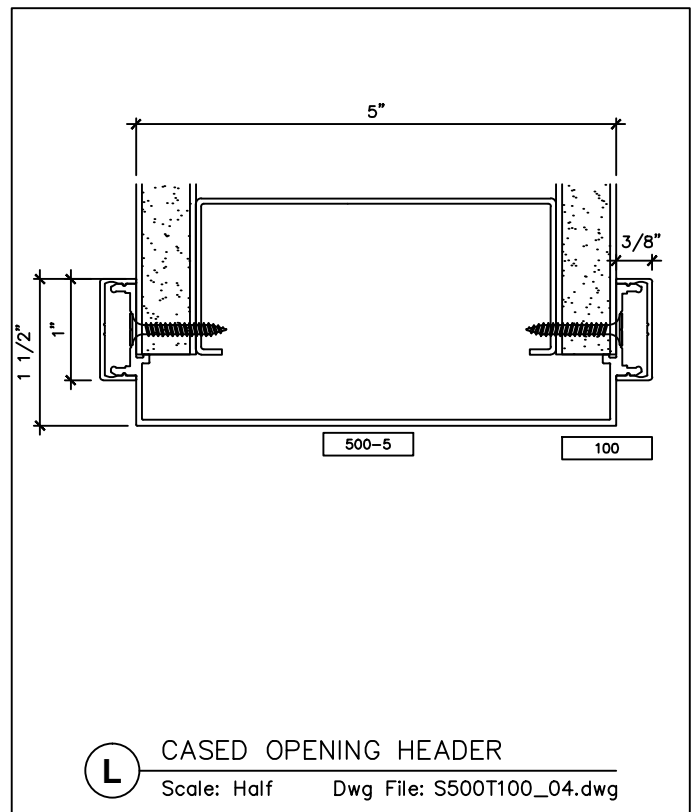
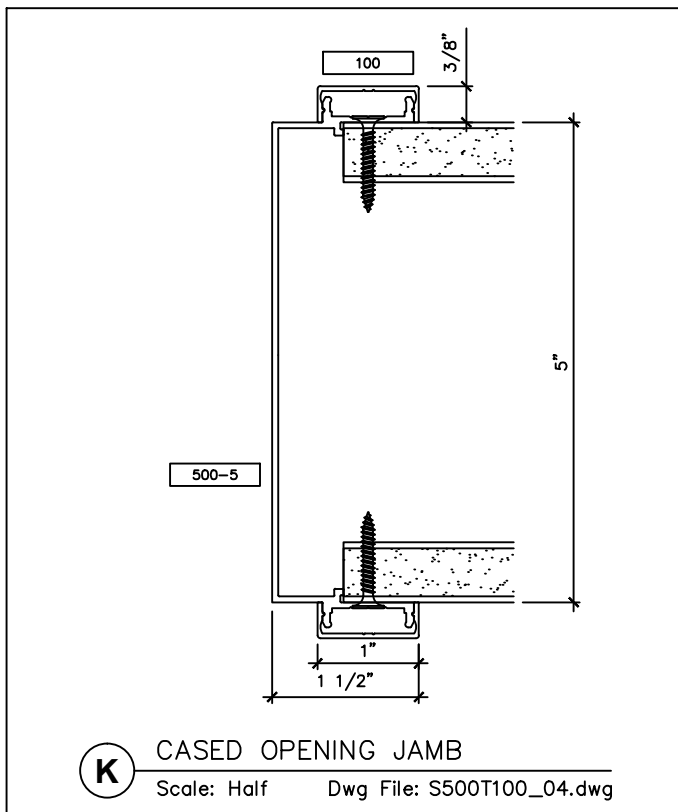
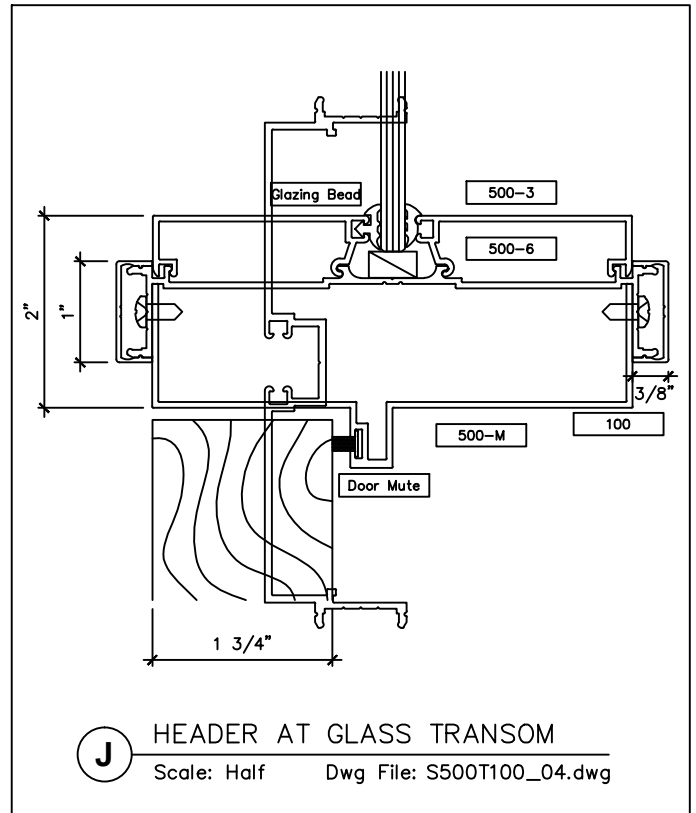
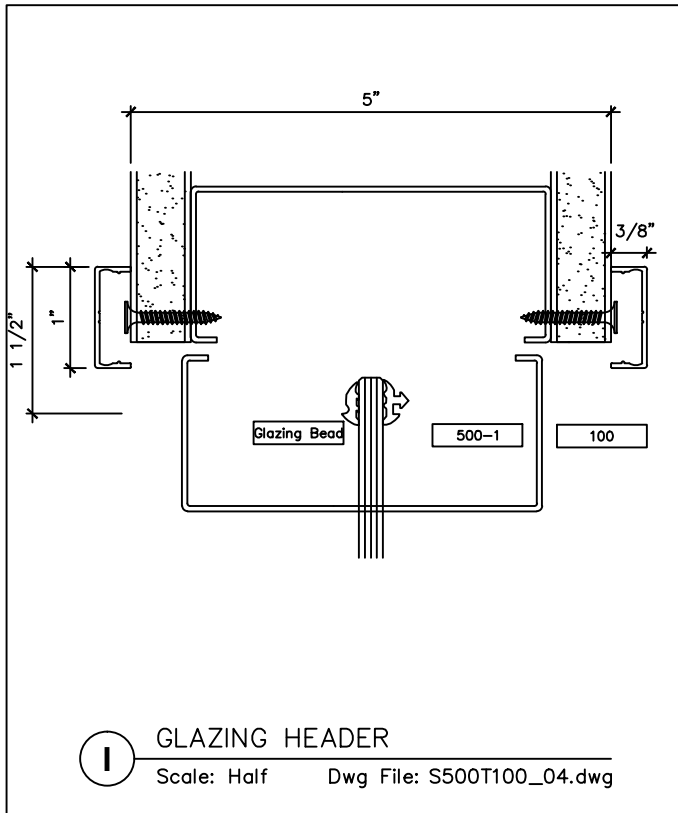
2301 E. Vernon Ave.
Vernon, CA 90058
866.443.7258
323.908.5430
323.908.5451 Fax

2221 Manana Drive
Suite 150
Dallas, TX 75220
203.316.8033
203.316.0019 Fax

60 Bonner Street
Stamford, CT 06902
203.316.8033
203.316.0019 Fax

www.wilsonpart.com

SNAP ON TRIM- SERIES 500 WITH 1" TRIM FOR A 5" PARTITION





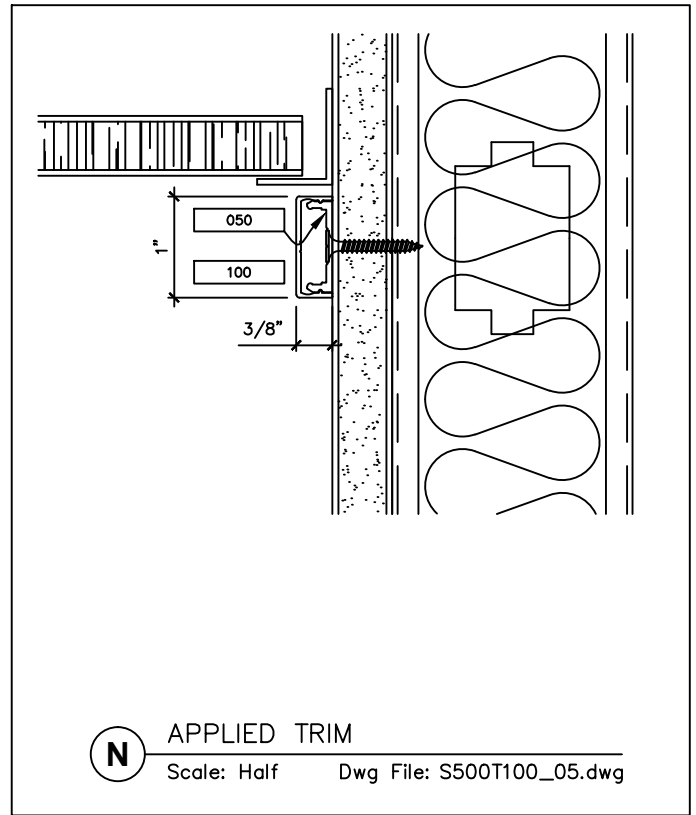
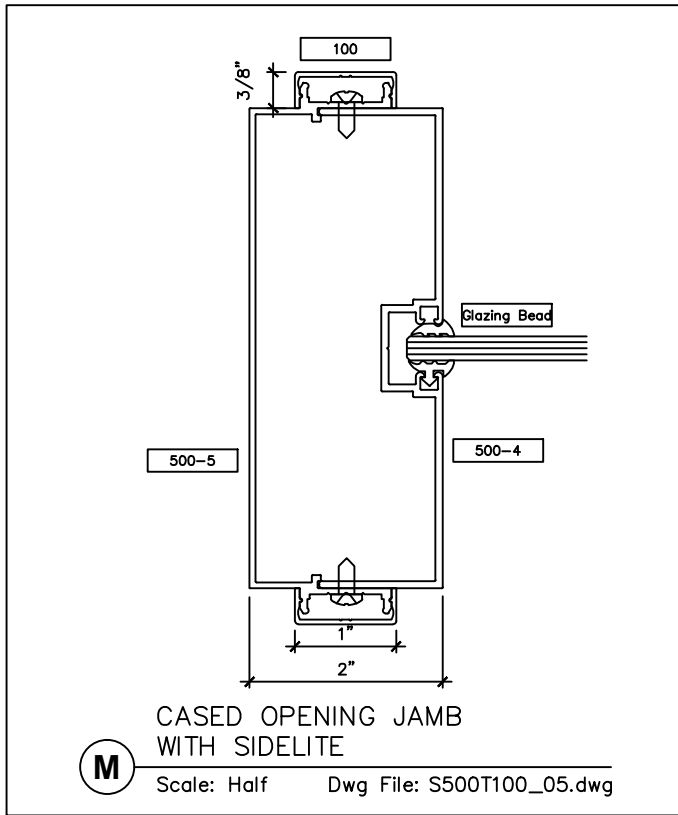
2301 E. Vernon Ave.
Vernon, CA 90058
866.443.7258
323.908.5430
323.908.5451 Fax

2221 Manana Drive
Suite 150
Dallas, TX 75220
203.316.8033
203.316.0019 Fax

60 Bonner Street
Stamford, CT 06902
203.316.8033
203.316.0019 Fax

www.wilsonpart.com

SNAP ON TRIM- SERIES 500 WITH 1" TRIM FOR A 5" PARTITION





2301 E. Vernon Ave.
Vernon, CA 90058
866.443.7258
323.908.5430
323.908.5451 Fax

2221 Manana Drive
Suite 150
Dallas, TX 75220
203.316.8033
203.316.0019 Fax

60 Bonner Street
Stamford, CT 06902
203.316.8033
203.316.0019 Fax

www.wilsonpart.com

SNAP ON TRIM- SERIES 500 WITH 1" TRIM FOR A 5" PARTITION

