



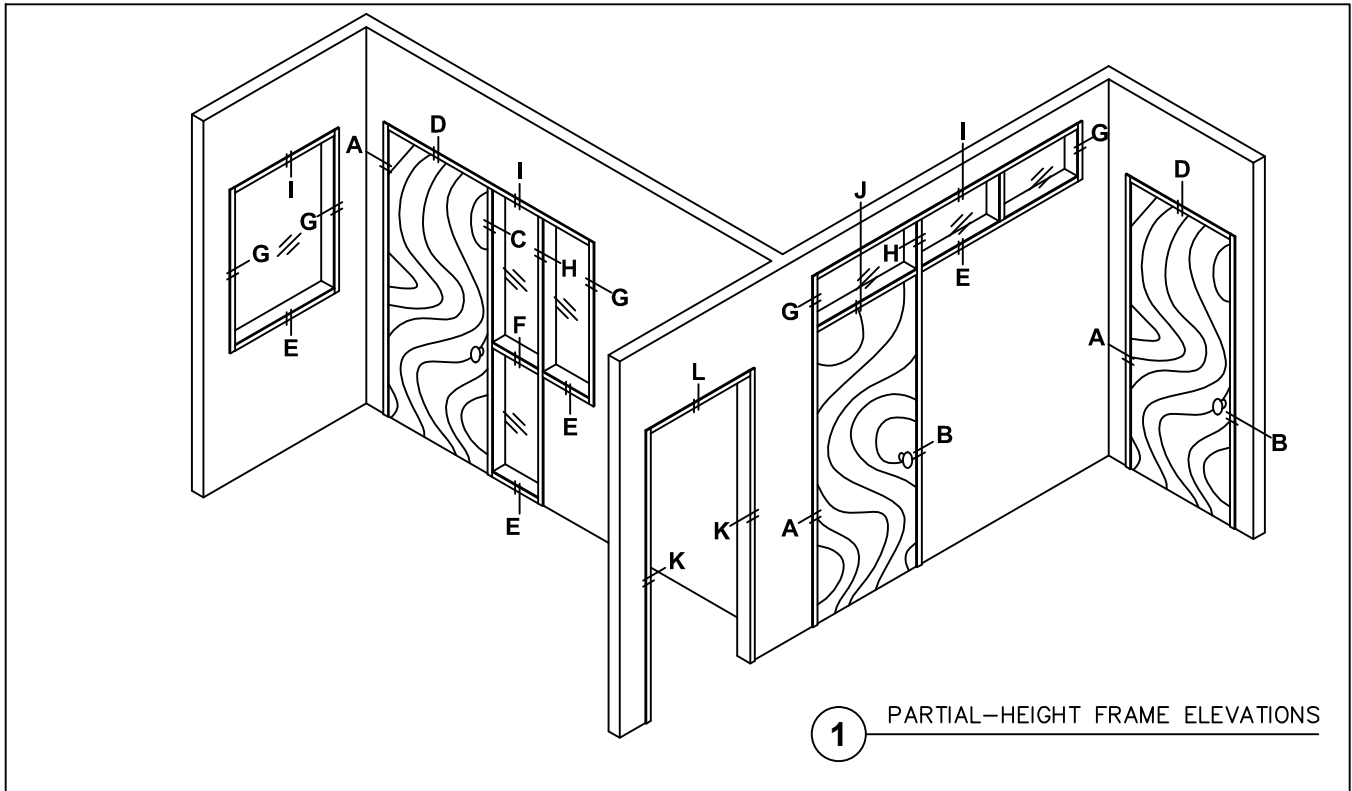
2301 E. Vernon Ave.  
Vernon, CA 90058  
866.443.7258  
323.908.5430  
323.908.5451 Fax

2221 Manana Drive  
Suite 150  
Dallas, TX 75220  
203.316.8033  
203.316.0019 Fax

60 Bonner Street  
Stamford, CT 06902  
203.316.8033  
203.316.0019 Fax

[www.wilsonpart.com](http://www.wilsonpart.com)

## TYPICAL FRAME ELEVATIONS





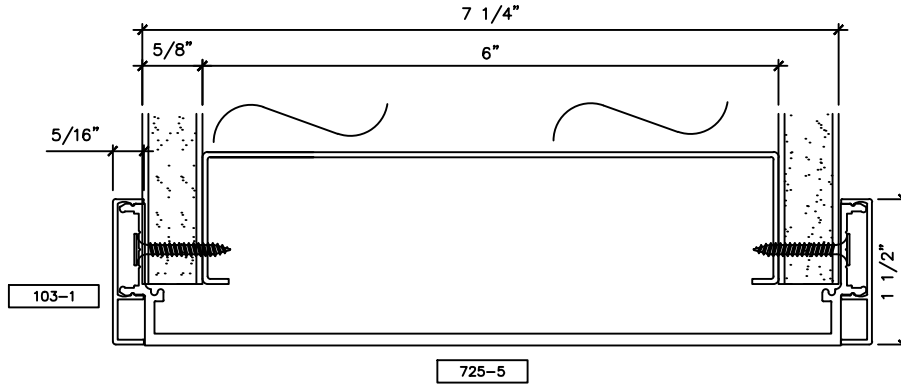
2301 E. Vernon Ave.  
Vernon, CA 90058  
866.443.7258  
323.908.5430  
323.908.5451 Fax

2221 Manana Drive  
Suite 150  
Dallas, TX 75220  
203.316.8033  
203.316.0019 Fax

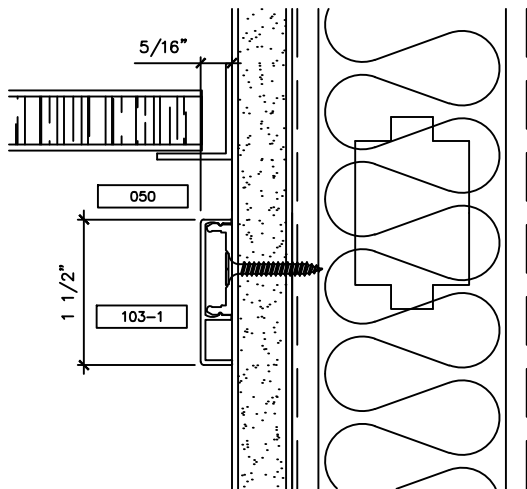
60 Bonner Street  
Stamford, CT 06902  
203.316.8033  
203.316.0019 Fax

www.wilsonpart.com

## SNAP ON TRIM- SERIES 725 WITH 1 1/2" TRIM FOR A 7 1/4" PARTITION



**N** CASED OPENING HEADER  
Scale: Half     Dwg File: S725T150\_09.dwg



**O** APPLIED TRIM  
Scale: Half     Dwg File: S725T150\_09.dwg



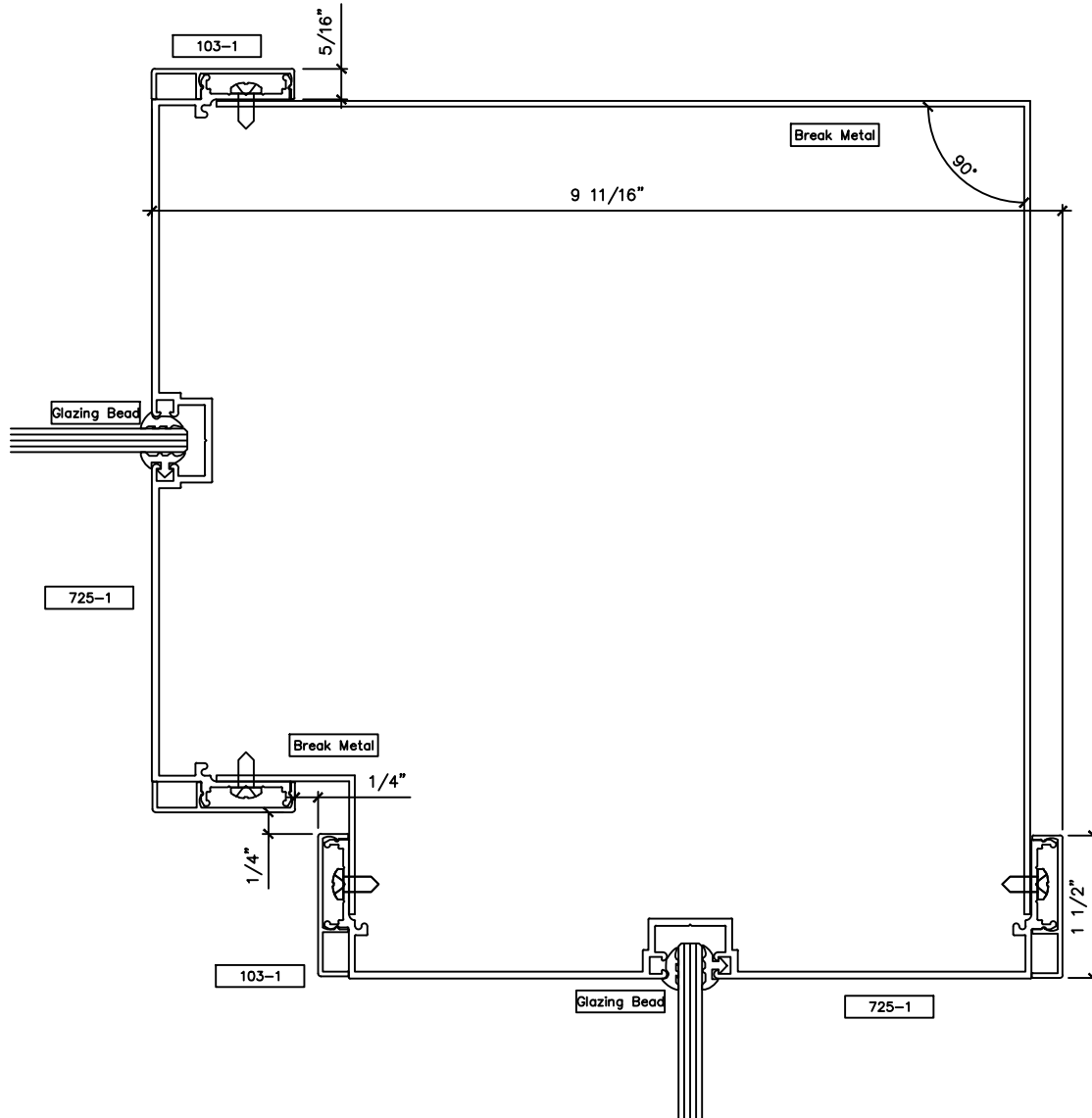
2301 E. Vernon Ave.  
Vernon, CA 90058  
866.443.7258  
323.908.5430  
323.908.5451 Fax

2221 Manana Drive  
Suite 150  
Dallas, TX 75220  
203.316.8033  
203.316.0019 Fax

60 Bonner Street  
Stamford, CT 06902  
203.316.8033  
203.316.0019 Fax

www.wilsonpart.com

## SNAP ON TRIM- SERIES 725 WITH 1 1/2" TRIM FOR A 7 1/4" PARTITION



90° CORNER POST

Scale: Half

Dwg File: S725T150\_10.dwg



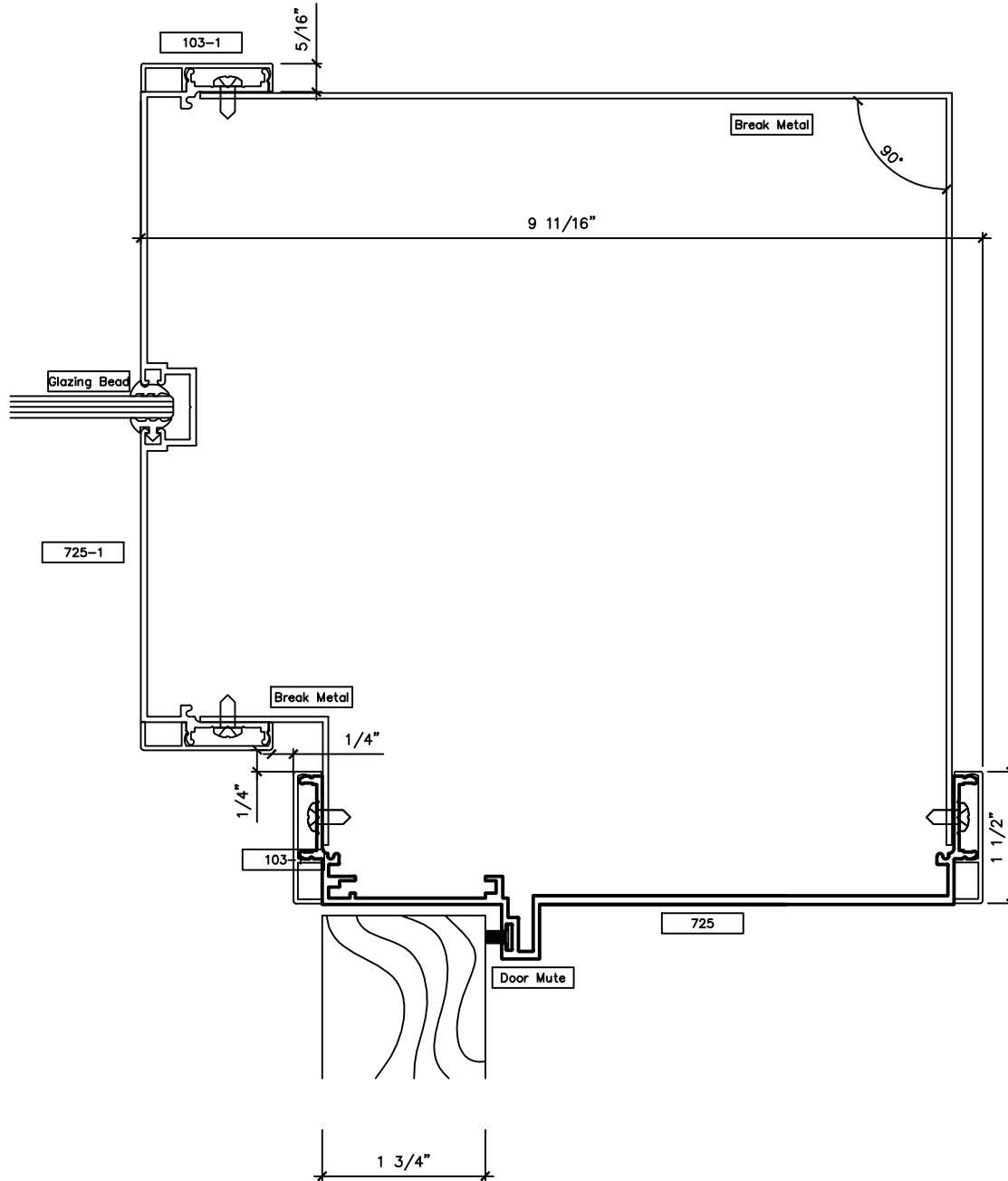
2301 E. Vernon Ave.  
Vernon, CA 90058  
866.443.7258  
323.908.5430  
323.908.5451 Fax

2221 Manana Drive  
Suite 150  
Dallas, TX 75220  
203.316.8033  
203.316.0019 Fax

60 Bonner Street  
Stamford, CT 06902  
203.316.8033  
203.316.0019 Fax

www.wilsonpart.com

## SNAP ON TRIM- SERIES 725 WITH 1 1/2" TRIM FOR A 7 1/4" PARTITION



90° CORNER POST

Scale: Half

Dwg File: S725T150\_11.dwg



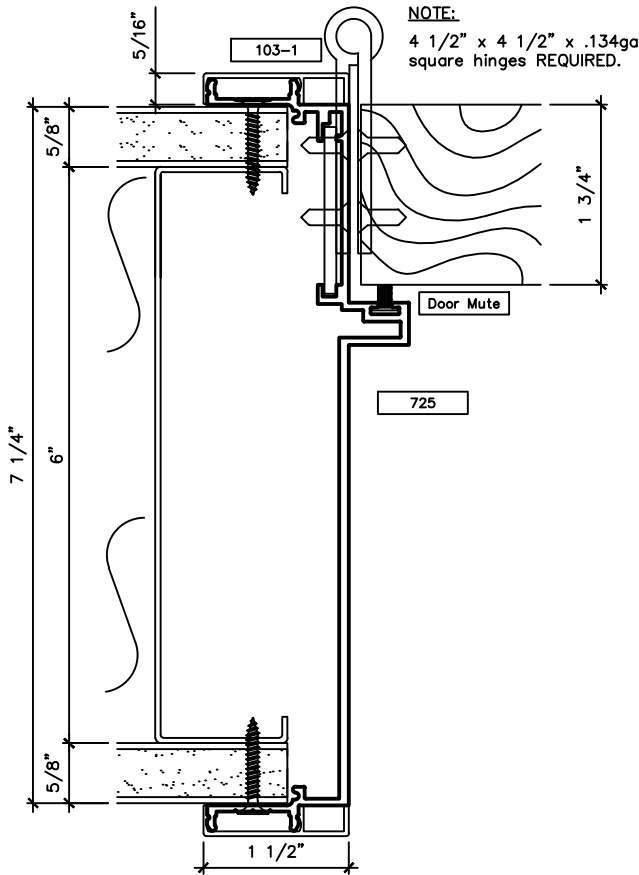
2301 E. Vernon Ave.  
Vernon, CA 90058  
866.443.7258  
323.908.5430  
323.908.5451 Fax

2221 Manana Drive  
Suite 150  
Dallas, TX 75220  
203.316.8033  
203.316.0019 Fax

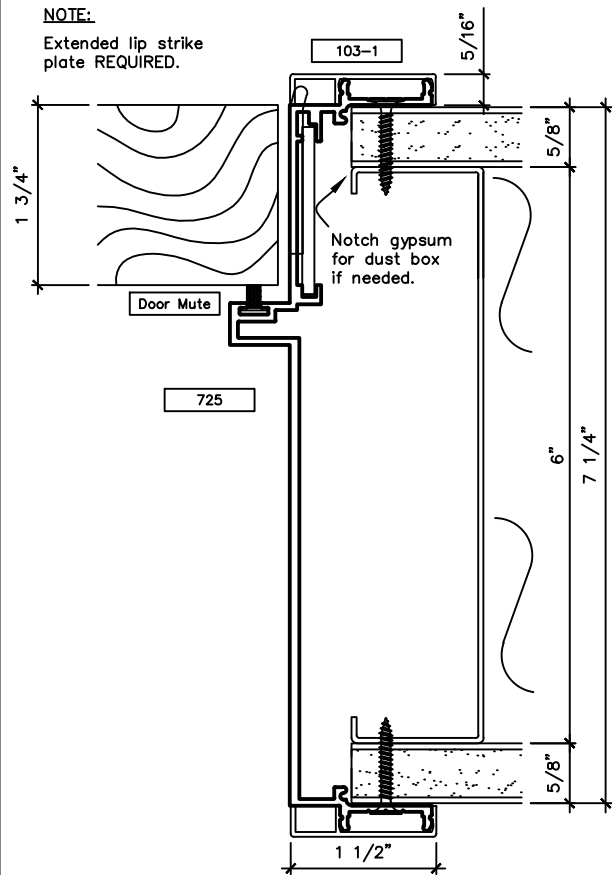
60 Bonner Street  
Stamford, CT 06902  
203.316.8033  
203.316.0019 Fax

www.wilsonpart.com

## SNAP ON TRIM- SERIES 725 WITH 1 1/2" TRIM FOR A 7 1/4" PARTITION



**A** HINGE JAMB  
Scale: Half Dwg File: S725T150\_01.dwg



**B** STRIKE JAMB  
Scale: Half Dwg File: S725T150\_01.dwg



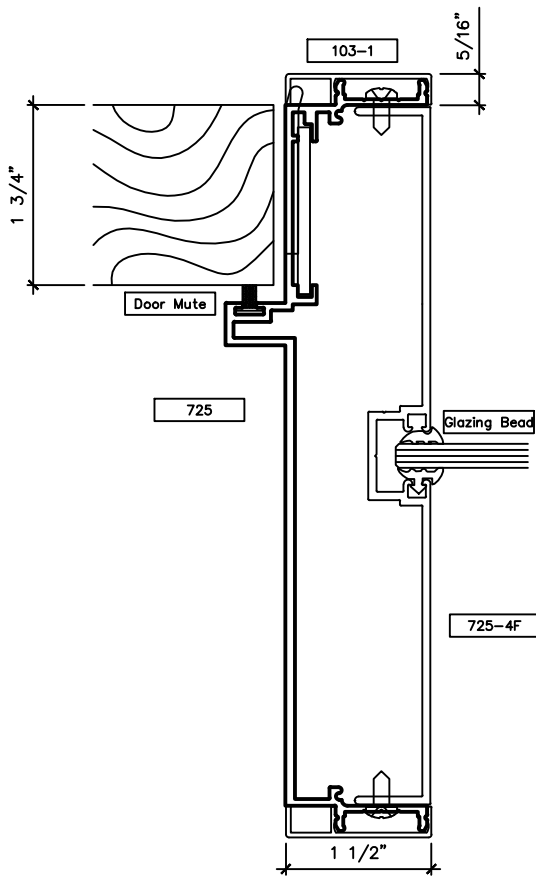
2301 E. Vernon Ave.  
Vernon, CA 90058  
866.443.7258  
323.908.5430  
323.908.5451 Fax

2221 Manana Drive  
Suite 150  
Dallas, TX 75220  
203.316.8033  
203.316.0019 Fax

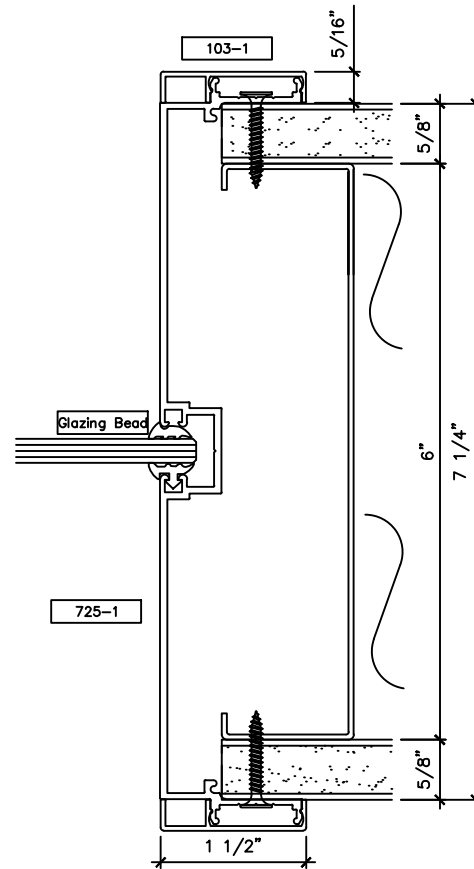
60 Bonner Street  
Stamford, CT 06902  
203.316.8033  
203.316.0019 Fax

www.wilsonpart.com

## SNAP ON TRIM- SERIES 725 WITH 1 1/2" TRIM FOR A 7 1/4" PARTITION



**C** STRIKE JAMB WITH SIDELITE  
Scale: Half Dwg File: S725T150\_02.dwg



**D** JAMB MULLION  
Scale: Half Dwg File: S725T150\_02.dwg



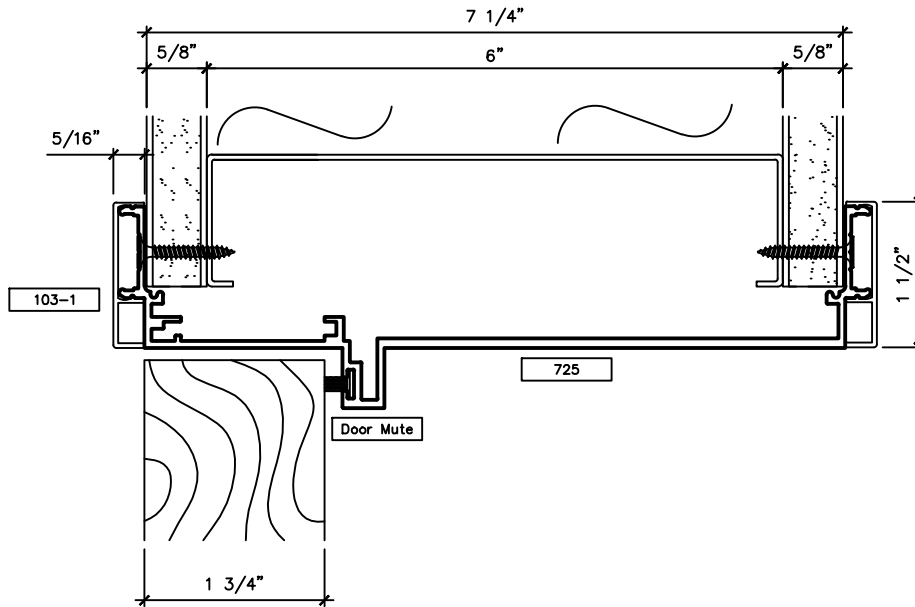
2301 E. Vernon Ave.  
Vernon, CA 90058  
866.443.7258  
323.908.5430  
323.908.5451 Fax

2221 Manana Drive  
Suite 150  
Dallas, TX 75220  
203.316.8033  
203.316.0019 Fax

60 Bonner Street  
Stamford, CT 06902  
203.316.8033  
203.316.0019 Fax

www.wilsonpart.com

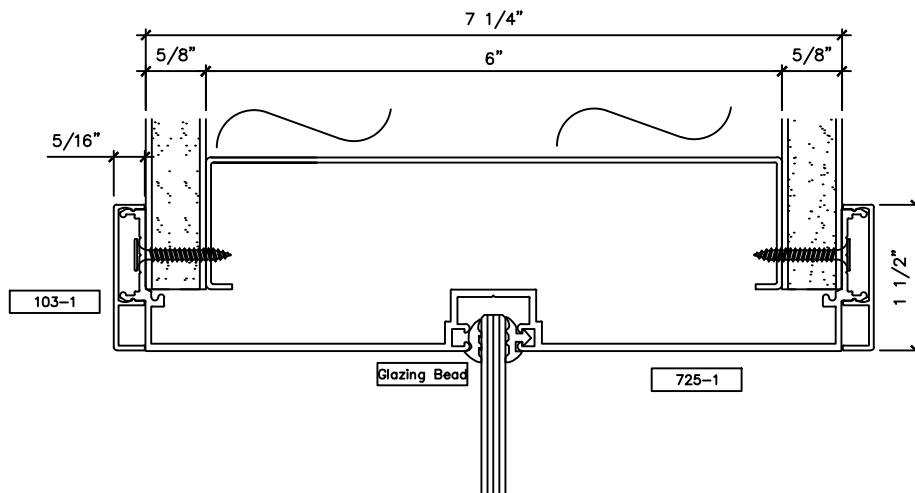
## SNAP ON TRIM- SERIES 725 WITH 1 1/2" TRIM FOR A 7 1/4" PARTITION



**E**

DOOR HEADER

Scale: Half Dwg File: S725T150\_03.dwg



**F**

GLAZING HEADER

Scale: Half Dwg File: S725T150\_03.dwg



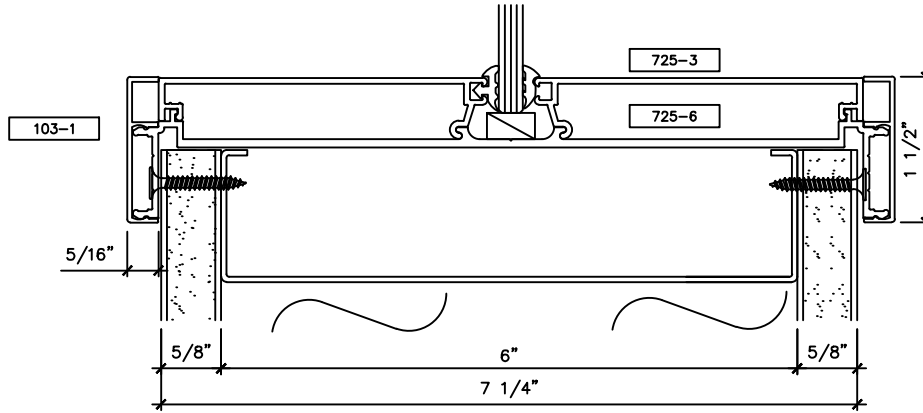
2301 E. Vernon Ave.  
Vernon, CA 90058  
866.443.7258  
323.908.5430  
323.908.5451 Fax

2221 Manana Drive  
Suite 150  
Dallas, TX 75220  
203.316.8033  
203.316.0019 Fax

60 Bonner Street  
Stamford, CT 06902  
203.316.8033  
203.316.0019 Fax

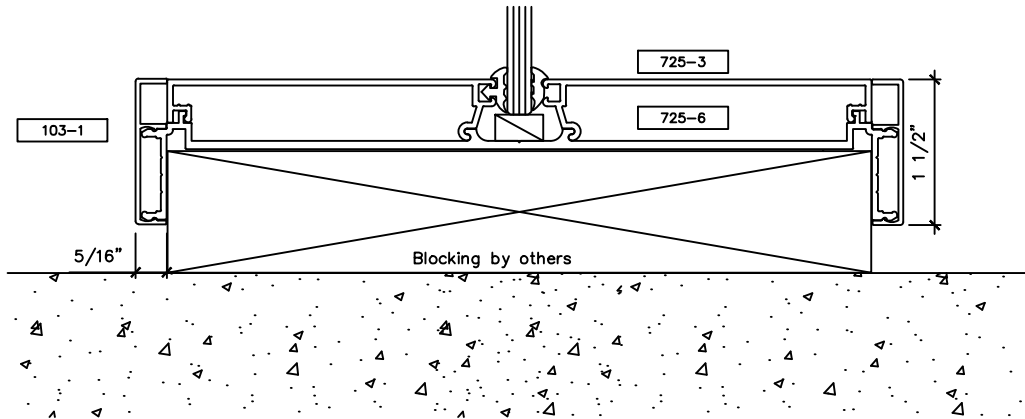
www.wilsonpart.com

## SNAP ON TRIM- SERIES 725 WITH 1 1/2" TRIM FOR A 7 1/4" PARTITION



### SILL (PARTIAL HEIGHT)

Scale: Half      Dwg File: S725T150\_04.dwg



### SILL (FULL HEIGHT)

Scale: Half      Dwg File: S725T150\_04.dwg





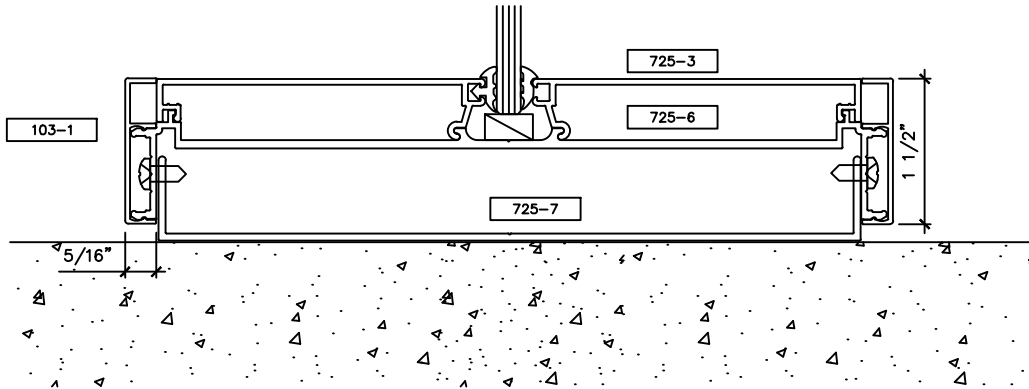
2301 E. Vernon Ave.  
Vernon, CA 90058  
866.443.7258  
323.908.5430  
323.908.5451 Fax

2221 Manana Drive  
Suite 150  
Dallas, TX 75220  
203.316.8033  
203.316.0019 Fax

60 Bonner Street  
Stamford, CT 06902  
203.316.8033  
203.316.0019 Fax

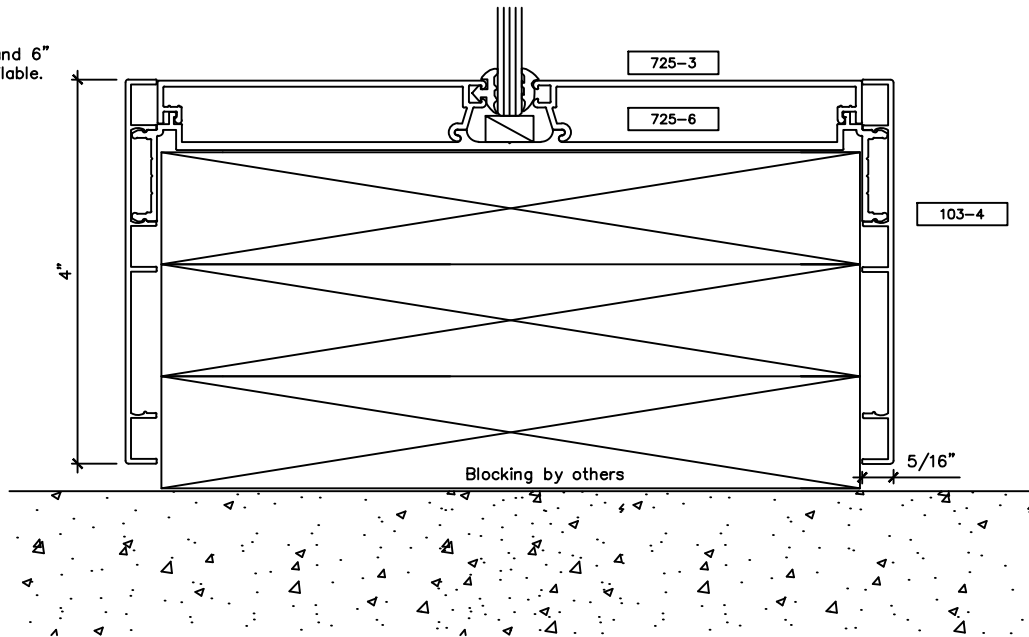
www.wilsonpart.com

## SNAP ON TRIM- SERIES 725 WITH 1 1/2" TRIM FOR A 7 1/4" PARTITION



**G2** SILL (FULL HEIGHT WITH SILL STARTER)  
Scale: Half Dwg File: S725T150\_05.dwg

NOTE:  
2", 3", and 6"  
trim available.



**G3** SILL (FULL HEIGHT)  
WITH 4" TRIM (OPTIONAL)  
Scale: Half Dwg File: S725T150\_05.dwg



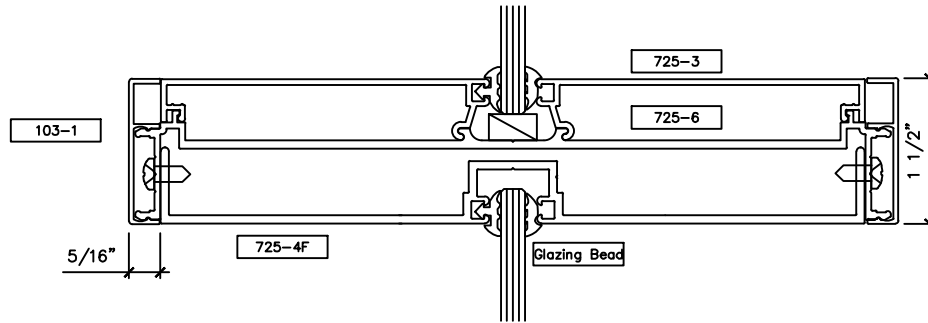
2301 E. Vernon Ave.  
Vernon, CA 90058  
866.443.7258  
323.908.5430  
323.908.5451 Fax

2221 Manana Drive  
Suite 150  
Dallas, TX 75220  
203.316.8033  
203.316.0019 Fax

60 Bonner Street  
Stamford, CT 06902  
203.316.8033  
203.316.0019 Fax

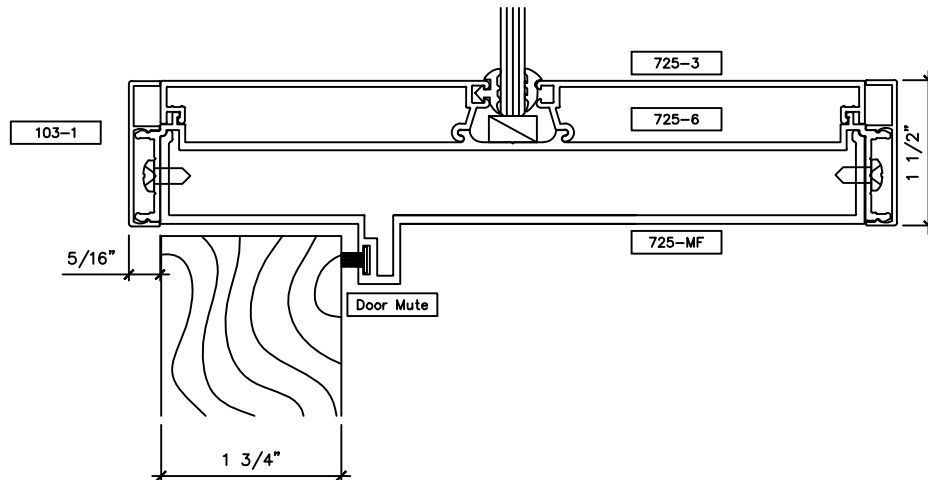
www.wilsonpart.com

## SNAP ON TRIM- SERIES 725 WITH 1 1/2" TRIM FOR A 7 1/4" PARTITION



### HORIZONTAL MUNTIN

Scale: Half      Dwg File: S725T150\_06.dwg



### HEADER AT GLASS TRANSOM

Scale: Half      Dwg File: S725T150\_06.dwg



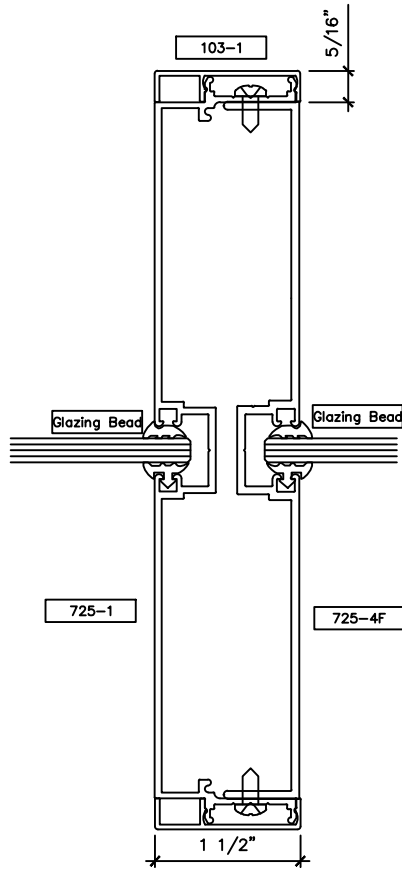
2301 E. Vernon Ave.  
Vernon, CA 90058  
866.443.7258  
323.908.5430  
323.908.5451 Fax

2221 Manana Drive  
Suite 150  
Dallas, TX 75220  
203.316.8033  
203.316.0019 Fax

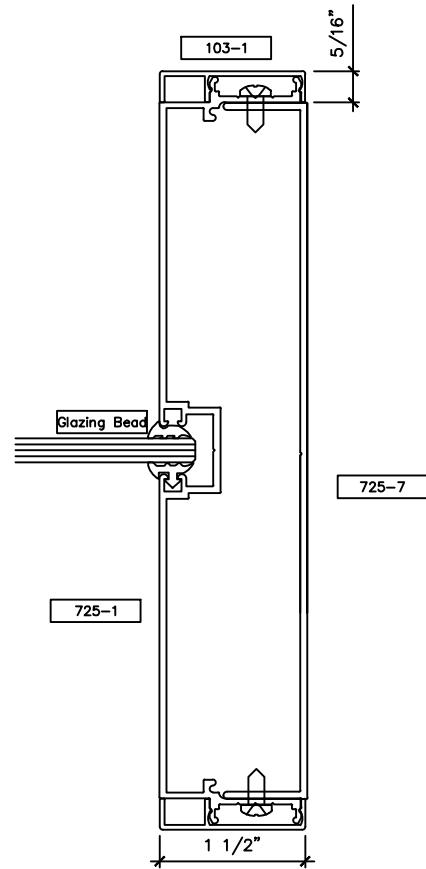
60 Bonner Street  
Stamford, CT 06902  
203.316.8033  
203.316.0019 Fax

www.wilsonpart.com

## SNAP ON TRIM- SERIES 725 WITH 1 1/2" TRIM FOR A 7 1/4" PARTITION



**J** INTERMEDIATE VERTICAL MULLION  
Scale: Half Dwg File: S725T150\_07.dwg



**K** JAMB MULLION WITH WALL STARTER  
Scale: Half Dwg File: S725T150\_07.dwg



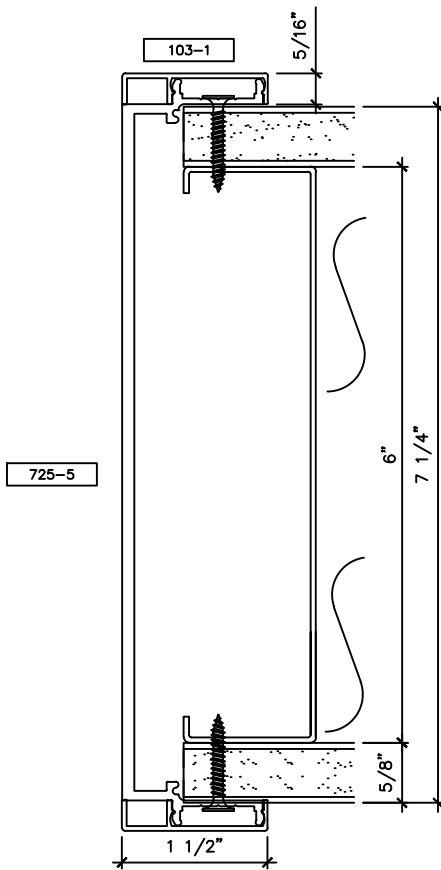
2301 E. Vernon Ave.  
Vernon, CA 90058  
866.443.7258  
323.908.5430  
323.908.5451 Fax

2221 Manana Drive  
Suite 150  
Dallas, TX 75220  
203.316.8033  
203.316.0019 Fax

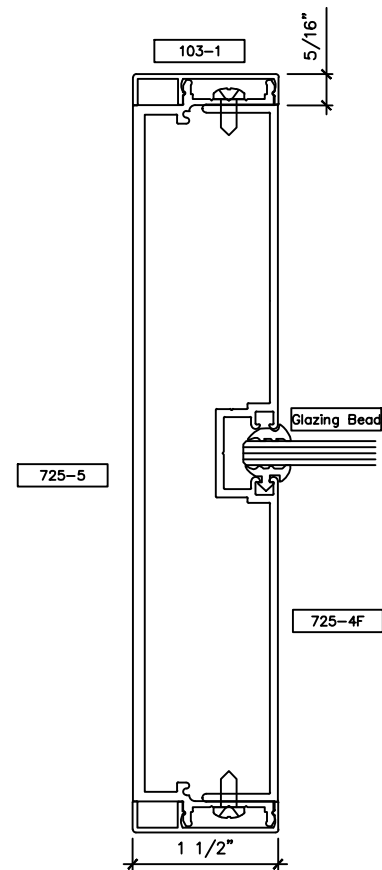
60 Bonner Street  
Stamford, CT 06902  
203.316.8033  
203.316.0019 Fax

www.wilsonpart.com

## SNAP ON TRIM- SERIES 725 WITH 1 1/2" TRIM FOR A 7 1/4" PARTITION



**L** CASED OPENING HEADER  
Scale: Half Dwg File: S725T150\_08.dwg



**M** CASED OPENING JAMB  
WITH SIDELITE  
Scale: Half Dwg File: S725T150\_08.dwg